

Operating Manual Adsorption Dryer DPS 10-100

Version: 11/2010/DE



Inhaltsverzeichnis

1.	General information	5
1.1	Manufacturer.....	5
1.2	Dryer data.....	6
1.3	Contact data	6
1.4	Additional documents	6
1.5	Warranty notes.....	7
1.6	About this operating manual.....	7
2.	Description of application	9
2.1	Intended use.....	9
2.2	Technische Daten	11
3.	Safety notes.....	12
3.1	Signs and instructions.....	12
3.2	Danger zones at the dryer	13
3.3	General safety notes.....	14
4.	Technical product description	16
4.1	Assembly drawing.....	16
4.2	Process flow diagram.....	18
4.3	Function description.....	19
4.4	Options	23
5.	Operating elements.....	25
5.1	Power connector	25
5.2	Differential pressure gauges on the filters.....	26
5.3	Pressure gauge	26
5.4	Control.....	27
5.5	Function keys and display.....	27
5.6	Direct indication	28
5.7	Menu guide.....	28
5.8	Parameter settings	29
5.9	Compressor synchronisation function.....	30
5.10	Dew point measurement and energy-saving function.....	30
5.11	Filters for differential pressure monitoring.....	31
5.12	Overflow monitor	31
5.13	Service ticket	32
5.14	Menu structure.....	33
6.	Error analysis table	34
7.	Transportation, setting up and storage.....	36
7.1	Transportation.....	36
7.2	Setting up.....	37
7.3	Storage.....	38
8.	Installation.....	39
8.1	Installing the connecting pipelines.....	39
8.2	Installing the power supply	41
9.	Commissioning	44
9.1	Requirements for initial commissioning.....	44
9.2	Commissioning the dryer.....	45

9.2.1	Pressurisation of the dryer	46
9.2.2	Opening the outlet valve	46
9.2.3	Starting the dryer.....	47
10.	Shutting down and restarting the dryer	48
10.1	Shutting down the dryer in case of emergency.....	48
10.2	Stopping the dryer.....	48
10.3	Shutting down the dryer.....	48
10.4	Depressurising the dryer	49
10.5	Restarting the dryer.....	49
11.	Maintenance and repair	50
11.1	Regular maintenance intervals.....	51
11.1.1	Visual check and function monitoring	51
11.1.2	Cleaning the dryer and dryer control	52
11.1.3	Checking if cable and terminals are securely fixed.....	52
11.1.4	Calibrating the dew point sensor.....	52
11.1.5	Replacing filter elements.....	53
11.1.6	Replacing the expansion silencer	53
11.1.7	Replacing the sealing set of the valves (V1-4) and the check valves (RV1-2).....	54
11.1.8	Checking and replacing the desiccant / Cleaning the strainer basket.....	54
12.	Appendix and technical documents	57
12.1	General arrangement drawing	57
12.2	Process flow diagram.....	57
12.3	Wiring diagram	57



1. General information

1.1 Manufacturer



FST GmbH

Head office: Weiherdamm 17 – 57250 Netphen, Germany

Sales office: Im Teelbruch 106 – 45219 Essen, Germany

☎ +49 (0) 2054 8735-0

☎ +49 (0) 2054 8735-100

✉ info@fstweb.de

! For any questions about the product, please contact the sales office !

In case of questions about the product, please specify the type and the manufacturing number. This information can be found on the type plate over the control box of the dryer. (→Page 12)

General information

1.2 Dryer data

Model:	
Order no.:	
Manufacturing no.:	
Vessel no. (left/right):	
Year of manufacture:	
Date of commissioning:	

1.3 Contact data

Name:	
Company:	
Address:	
Phone / Fax:	
E-mail:	

The above dryer data differs for each dryer. Please fill in the fields according to the type plate and your contract documents. This data enables the manufacturer to clearly identify the dryer and simplifies service and provision of the proper spare parts.

Some of the information listed here and other important data can be found on the type plate of the dryer and on the type plate of the vessels. (→Page 12)

1.4 Additional documents

- General arrangement drawing
- Process flow diagram
- Pneumatic diagram of the instrument air for valve actuators
- Wiring diagram
- Operating manuals of individual components

Note on additional documents

Additional documents (e.g. of the components) must be adhered to. They contain additional information, e.g. on maintenance, and are therefore necessary for safe operation of the dryer.

The customer is provided with pressure vessel documents, if applicable.

1.5 Warranty notes

For warranty information, please refer to our "General Terms of Sale and Delivery".

(→ www.fstweb.de)

In the following cases the warranty shall be void:

- If the safety notes and instructions of this operating manual and of the additional documents are not observed.
- If the dryer is operated or maintained by personnel who do not have the required qualifications. (→ see "Target group": (→ Page 7))
- If the dryer is used for anything other than its intended use. (→ Page 9)
- If aggressive substances in the compressed air or ambient air cause damage to the dryer.
- If parts other than genuine parts of the manufacturer have been used for maintenance and repair.
- If the dryer is operated although defects are evident.

1.6 About this operating manual

This operating manual contains all the technical information required for installation, operation, maintenance and disposal of the dryer.

Target group

This operating manual is directed to all persons working on and with the dryer. We point out that these persons have to be qualified personnel who, because of their qualification and experience, are familiar with handling compressed air systems and electrical systems. If you are not experienced in using these systems, please ask the relevant experts for help. We highly recommend that commissioning and maintenance be carried out by the manufacturer or one of the authorised service partners.

Using the operating manual

Please read the operating manual and the additional documents carefully prior to installation and follow the notes and instructions. Safe and proper operation of the dryer can only be guaranteed if the instructions and notes are observed. The safety notes must be observed in particular.

The operating manual must be kept in the vicinity of the dryer and must be easily accessible.

When selling or hiring out the dryer, also provide this operating manual and all the additional documents to the new user. (→ Page 6)

The manufacturer accepts no liability for damages resulting from disregard of the operating manual.

All the information in this operating manual is valid at the time the manual is published. Due to component or workflow modifications at any time affecting dryer maintenance, the latest information should be available prior to maintenance work.

Signs and symbols used

- Boxes are used for bulleted lists.
- 1) Enumerated lists point out that the working steps are to be carried out in a specified order.
- Cross references refer to information on a different page or in a different document.



Note!

This symbol refers to matters that should be given special attention. Observing the notes helps to ensure safe handling of the product.



Tips and hints!

This symbol refers to matters that should be given special attention. Observing these advisory notes helps to ensure particular efficient operation of the product.



CAUTION !

This symbol indicates a possible harmful situation. When not avoiding this situation, there is a danger of injury or damage to the product or to adjacent system components.



WARNING !

This symbol indicates a possible dangerous situation. When not avoiding this situation, there is a danger of serious injury or death.



DANGER !

This symbol indicates an immediate impending danger. Not avoiding this danger results in serious injury or death.

2. Description of application

The dryer is used to remove moisture from compressed air for industrial use.

Typically, the dryer is used for drying compressed air from a compressor station.

During pre-treatment of the compressed air by means of separators and fine filters only the liquid water components can be removed from the compressed air. After this pre-treatment the dryer also removes the vaporous water components. The compressed air is dried until only a very low residual concentration of water vapour remains in the dried compressed air. This residual moisture content is measured as the pressure dew point in °C.

The dryer works completely automatically and is designed for continuous operation. Thanks to numerous communication interfaces and an optionally available moisture measuring system the dryer can be operated very economically.

2.1 Intended use

The dryer is exclusively designed for drying compressed air!

Using the dryer for drying other gases (e.g. pure nitrogen) must be agreed on with the manufacturer. It may be necessary to observe special safety directives.

The dryer is designed to be set up at a site that complies with the following requirements:

- Indoors
- Protected against weather impact
- Frost-free
- Dry
- Zero to low dust-laden ambient air
- No vibration via floor or connected piping
- Ambient air must be free from aggressive and corrosive substances
- Ambient air must be free from substances that damage the desiccant or influence its effectiveness (e.g. ammonia or other alkaline-reacting substances, oil mist, water spray or drizzle)
- Free from dangers due to explosive atmospheres inside and outside the dryer. (The standard dryer version does not comply with ATEX.)

The dryer must only be operated with compressed air within the maximum allowable operating conditions.

The voltage supply must correspond to the specified values.

The maximum allowable operating conditions and the required voltage supply are specified on the type plate (→Page 12).

Modifications to the dryer or use of third-party parts may cause unpredictable danger and damage. These measures must only be carried out after previous check and approval of the manufacturer. Only use genuine spare parts of the manufacturer.

Any other use is considered improper and therefore not permissible. The manufacturer accepts no liability caused by improper use.

Description of application

The values specified on the type plate are mechanical design limits.

Please note that dryer performance is not defined to these mechanical design limits. Dryer performance is guaranteed for use under the "nominal operating conditions" as well as for a certain combination of the individual operating parameters, that has been established for this dryer in the planning phase (compressed air flow rate, pressure, temperature, desired pressure dew point).

For the nominal operating conditions please refer to the following table. (→Page 11)

For a dryer designed to your individual operating conditions, please refer to your contract documents or contact the manufacturer.

Dryer performance cannot be guaranteed if the dryer is not operated within these operating conditions.

The supplied compressed air must be of the following quality:

- Free from aggressive and corrosive substances
- Filtered acc. to ISO 8573-1:2010 (1:*:3)
- Free from substances damaging the desiccant

*= The compressed air should be saturated with moisture or only be slightly sub-saturated. When using pre-dried compressed air (e.g. downstream of a fridge dryer) the dryer performance may be reduced.

During initial commissioning and after desiccant replacement in particular, pre-dried compressed air may negatively affect dryer performance.



In the event of pre-dried compressed air

For some days, operate the dryer using moisture-saturated compressed air in order to activate the desiccant. For this activation process the dryer control system should be set as follows:

- 1) Select the "**variable**" cycle mode. (→ Page 29)
- 2) Select a **dew point** limit value that can still be tolerated, however, it must not be worse than -10°C. (→ Page 30)

The dew point should become better within the next days.

- 3) Monitor the development of the dew point measured value for some days.
- 4) Select a **dew point** limit value that is approximately 10°C worse than the dew point that is usually reached, however, it must not be worse than -10°C.

Usually, dryer performance will be adequate after this procedure even when using pre-dried compressed air. If the dew point becomes worse again at a later point in time, the procedure must be repeated.

Example:

- The dryer is to be reaching a dew point of -40°C. However, in most cases it only reaches -30°C.
- Select the "**variable**" cycle mode and then a **dew point** limit value of -20°C.
- The adsorption phases of the dryer are now very long and thus the dryer is increasingly laden with moisture.
- After some days the dew point becomes better and reaches values around -55°C.
- Now, select a **dew point** limit value of -40°C. The dryer should now permanently be reaching good dew points..

2.2 Technische Daten

Dryer	Nominal volume flow rate	Compressed air connection	Weight	Height	Width	Depth
	V [m ³ /h]*		[kg]	[mm]	[mm]	[mm]
DPS 10	110	G 1"	126	1460	550	405
DPS 15	150	G 1"	142	1700	550	405
DPS 20	200	G 1"	180	1710	550	390
DPS 25	260	G 1"	220	1720	550	380
DPS 30	320	G 1	255	1760	669	480
DPS 40	410	G 1	288	1820	669	490
DPS 60	590	G 1	380	1850	669	490
DPS 80	770	G 2"	440	1980	838	563
DPS 100	1000	G 2"	510	2000	838	590

* = Standardised to 1 bar(a) and 20°C as well as to the following operating conditions: 7 bar operating overpressure, 35°C inlet temperature and -40°C pressure dew point

Classification acc. to PED 97/23/EG	DPS10...30: II / DPS40...100: III
Fluid group	2
Supply voltage	230V 50-60Hz (optional 115V 50-60Hz and 24V-DC)
Class of protection	IP65 (for standard dryer control type C1)
Min. / max. allowable pressure (PS)	4 to 16 bar
Min. / max. allowable temperature (TS)	+1 to +60°C
Noise pressure level (free-field measurement in distance of 1 m)	up to 100 dB(A)



Individual operating conditions

Please contact the manufacturer when your operating conditions are not within the limits stated above.

Options adapting the dryer to your operating conditions can be provided for numerous special cases.



Pressure vessel

For further technical details on the pressure vessels, please refer to the pressure vessel documentation provided separately.

A routine inspection is required for the pressure vessels. In Germany, according to AD 2000 Code a routine inspection has to be carried out every 5 years by a notified body.

Please note that different national regulations may apply in other countries.

3. Safety notes

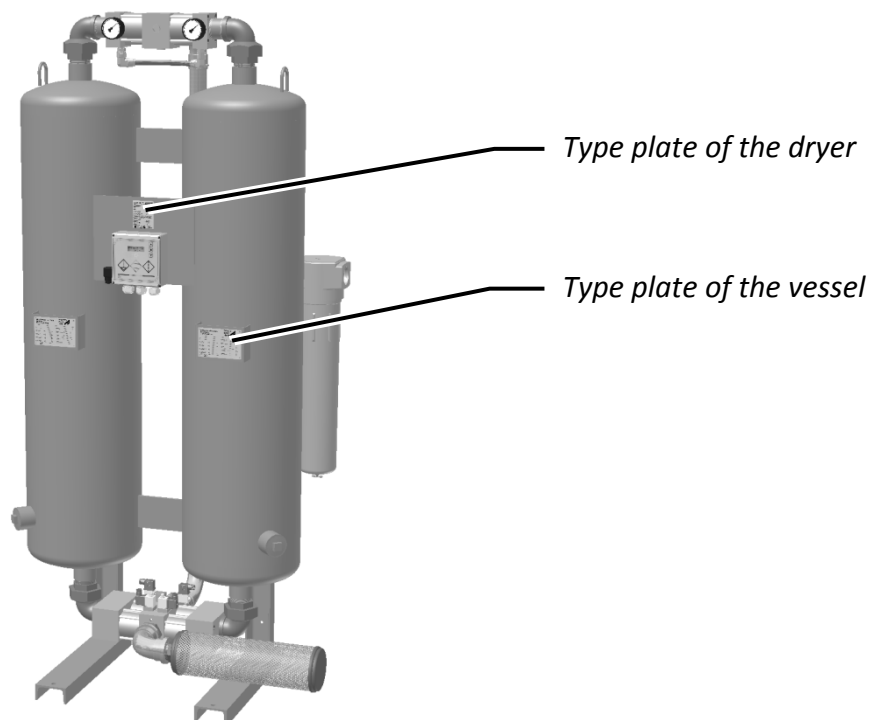
The dryer has been built according to state-of-the-art technology and recognised safety rules. However, there is a risk of danger that every person working with the dryer must be aware of. In particular, improper handling of compressed air and electricity may result in serious injury or death. If you are not experienced in using these systems, please ask the relevant experts for help.



Note!

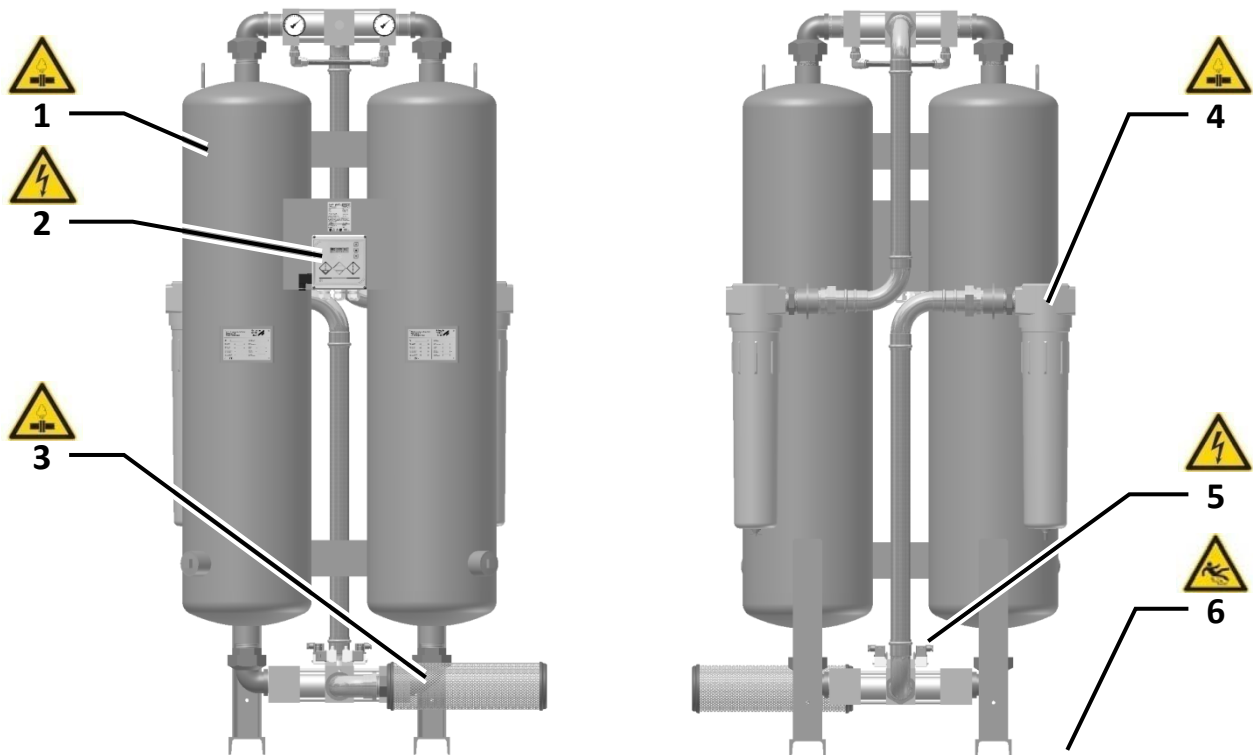
- In order to prevent personal injury or damage, the safety notes must be observed when using this dryer.
- Observe the specific safety notes in the relevant chapters.
- Observe the legal guidelines and the accident prevention regulations.
- Observe the safety notes of the local site regulations.

3.1 Signs and instructions



The type plates show important information. Make sure that the type plates are always clearly readable.

3.2 Danger zones at the dryer



- 1;4** Risk of injury from pressure-bearing parts
- 2;5** Risk of injury from electric voltage
- 3** Risk of injury from suddenly escaping compressed air
- 6** Risk of slipping due to spilt desiccant



DANGER ! – Overpressure (1;4)

The dryer is under pressure.

Suddenly escaping compressed air may result in serious injury.

Do not carry out mechanical or electrical work on the dryer as long as the dryer is under pressure.



DANGER ! – Electric voltage (2;5)

The dryer is operated electric voltages up to 230 V.

Touching live parts may result in serious injury or death.

Work on electrical components must only be carried out by qualified and authorised personnel.

Use a voltage detector to make sure the dryer has been disconnected from the power supply and that there are no live parts before starting maintenance work.

In the event of fire, do not extinguish the fire using water.



Safety notes



WARNING ! – Suddenly escaping compressed air (3)

The dryer is depressurised approximately every 6 hours using a silencer. A loud and strong air-stream may carry small particles and cause injury.



Do not place any equipment in the vicinity of the silencer. The silencer must not be manipulated or removed. Always wear hearing protectors when working in the vicinity of the dryer.



WARNING ! – Risk of slipping (6)

After desiccant replacement some amounts of desiccant may still remain on the floor.

The desiccant is very slippery and may result in serious fall injury.

Immediately remove residual desiccant properly from the floor.

3.3 General safety notes



DANGER ! – Overload

The dryer must only be operated with compressed air within the maximum allowable operating conditions. The operating conditions are defined on the type plate (→ page 12).

Exceeding the maximum allowable operating conditions may result in serious injury or death.

It is the duty of the operator to ensure that the connected pressure source is safe-guarded such that the maximum allowable operating pressure (PS) and the maximum allowable temperature (TS) are not exceeded.

Please also refer to section "Intended use" (→ page 9).



DANGER ! – Unauthorised modifications

Modifications to the dryer or the dryer control system may result in dangerous operating states. Violations may cause serious injury or death.

Never modify the dryer function by means of conversions.

Never carry out welding work on pressure-bearing parts.

Never change the control program of the dryer.

Any modifications of the dryer must be agreed on with the manufacturer and confirmed in writing.



DANGER ! – Suspected misuse

Using the dryer for unintended purposes may result in dangerous situations. Violations may cause serious injury or death.

Never use the dryer as a climbing aid.

Never use the dryer as a support for external weight loads.

Never use dryer components for unintended application purposes.

Please also refer to section "Intended use" (→ page 9).



WARNING ! – Risk of falls

The dryer must never be used as a climbing aid. The dryer components will not provide adequate support and parts of the dryer may break off. Disregard may lead to dryer damages and falls with serious injuries.

When working at height only use approved climb assist systems.



CAUTION ! – Desiccant dust

Using the desiccant may lead to mineral dust formation.

Desiccant dust may cause eye and respiratory tract irritations.

Wear eye protection and a dust mask when handling the desiccant.



Desiccant

The desiccant used is not subject to labelling requirements according to the Hazardous Substances Ordinance. Nevertheless, the common safety measures with regard to using chemicals apply.

The manufacturer will provide safety data sheets on request.

The desiccant may accumulate contaminants from the compressed air. Depending on the type of contamination there may be a risk of injury or damage when using the desiccant. As the type of contamination is not known to the manufacturer, the resulting risks cannot be evaluated in this operating manual.



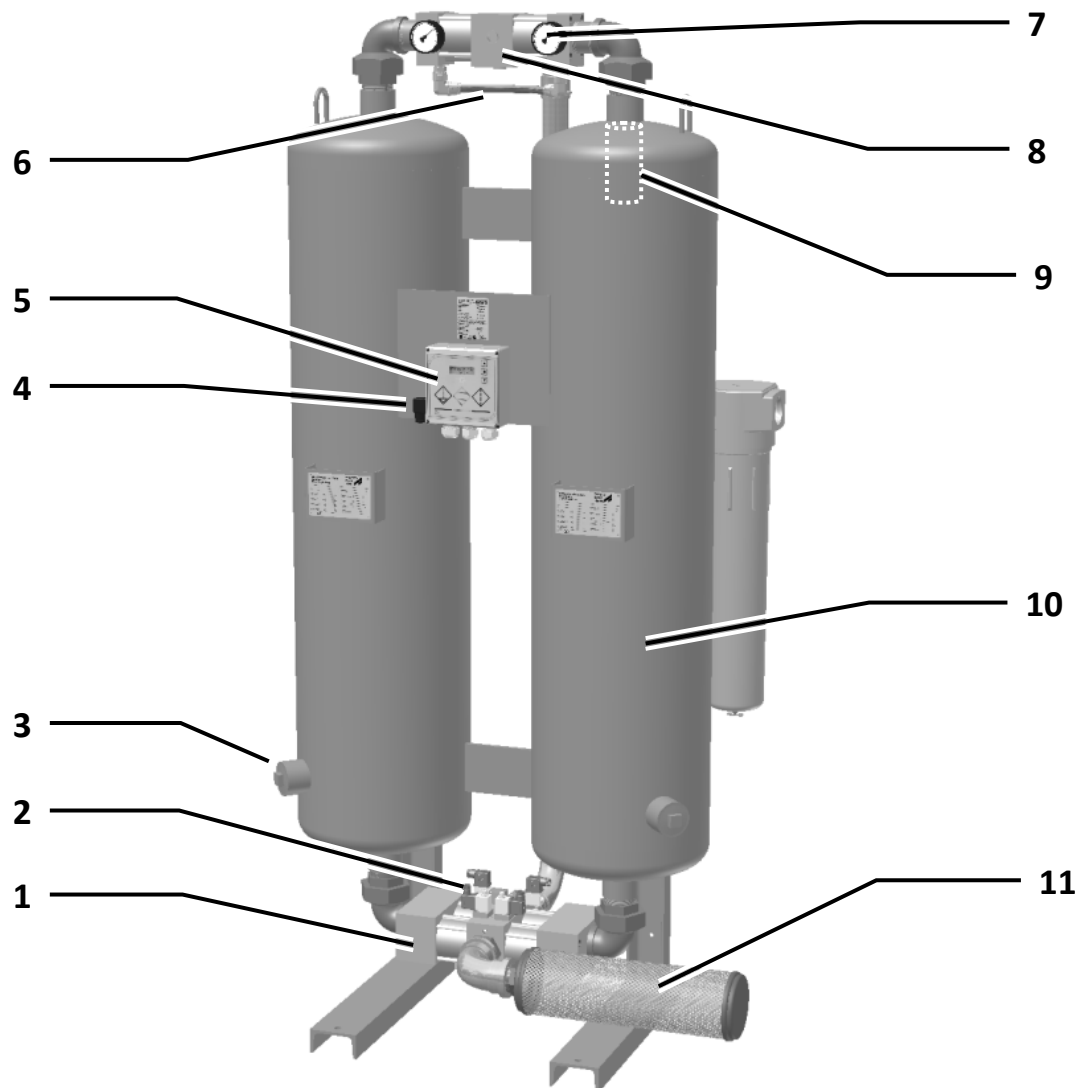
Additional safety notes

For additional safety notes, please refer to the relevant chapters.

4. Technical product description

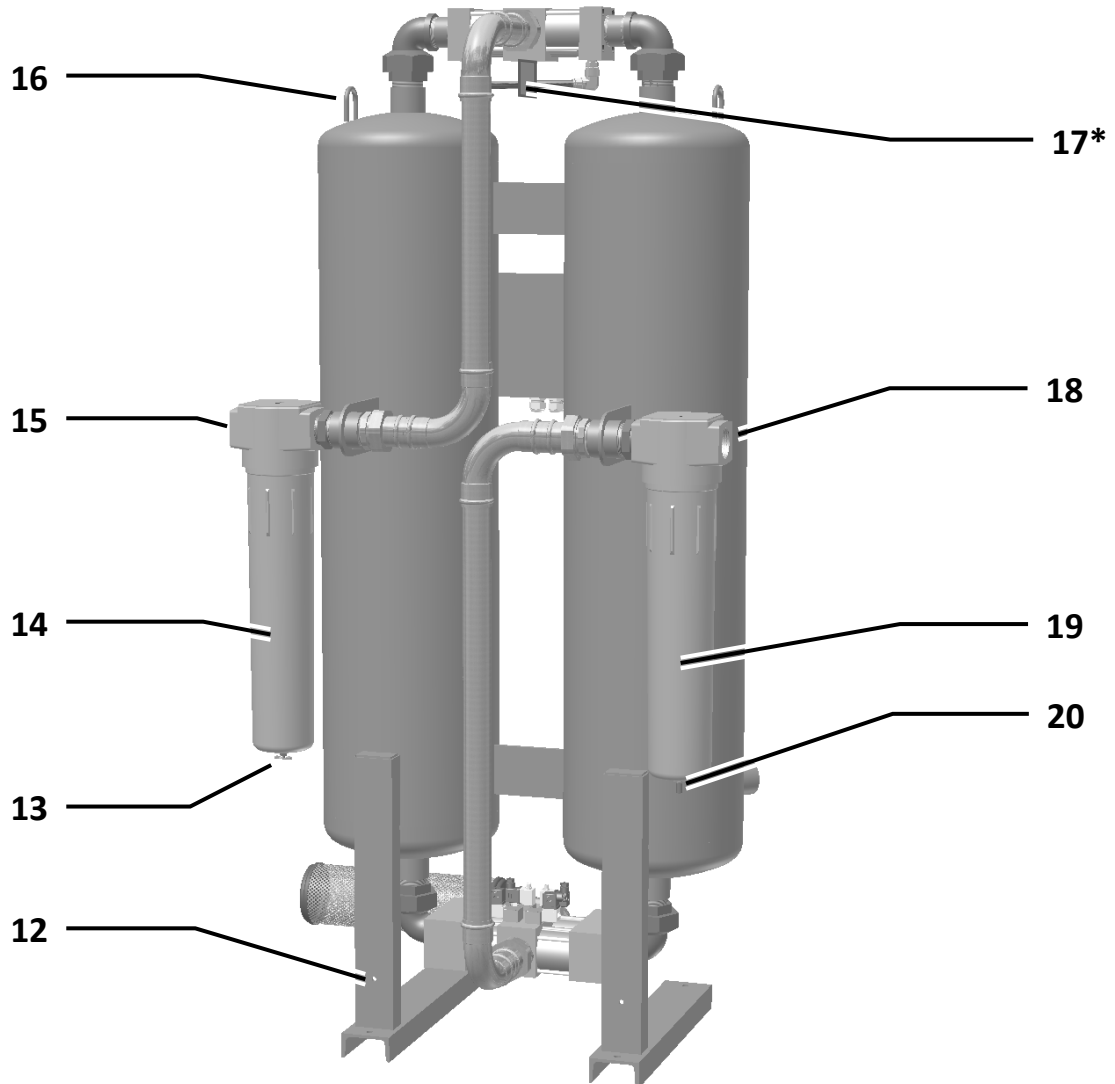
4.1 Assembly drawing

Front View



- | | | | |
|----------|--|-----------|--|
| 1 | <i>Lower valve block (V1, V2, V3, V4)</i> | 7 | <i>Pressure gauge (PI01, PI02)</i> |
| 2 | <i>Solenoid valves (solenoids: Y1, Y2, Y3, Y4)</i> | 8 | <i>Upper check valve block (RV1, RV2)</i> |
| 3 | <i>Desiccant drain nozzle</i> | 9 | <i>Upper vessel opening with strainer basket (SB1, SB2)</i> |
| 4 | <i>Power Connector (power supply)</i> | 10 | <i>Vessel (A1, A2) with sieve tray (ST1, ST2)</i> |
| 5 | <i>Control with display and operator keys</i> | 11 | <i>Expansion silencer (X1) with regeneration gas outlet (RO)</i> |
| 6 | <i>Regeneration gas line with orifice (O1)</i> | | |

Rear view

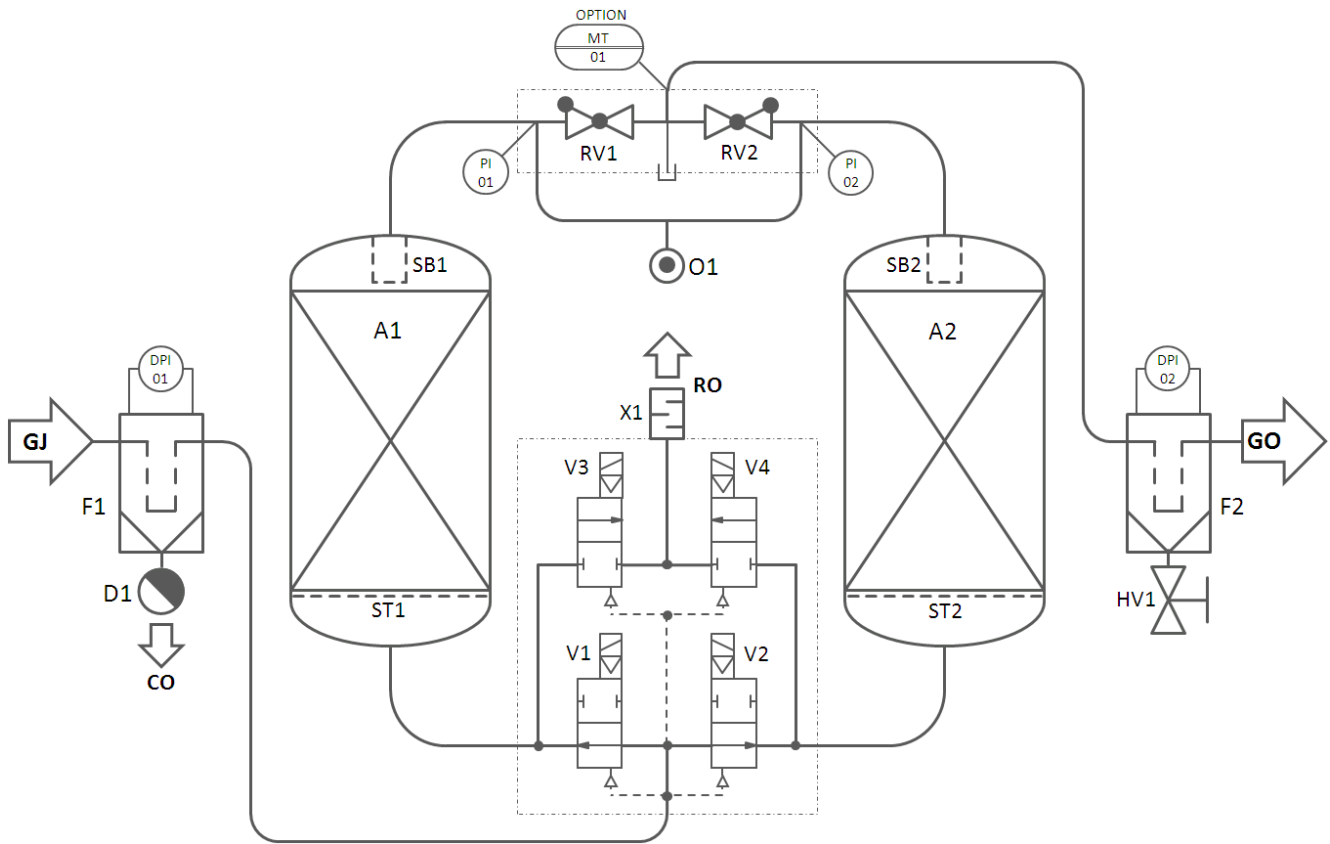


- | | | | |
|-----------|---|-----------|---|
| 12 | <i>Earthing connection</i> | 17 | <i>Dew point sensor (MT01) (*optional)</i> |
| 13 | <i>Manual drain valve (HV1) on after-filter</i> | 18 | <i>Compressed air inlet (GJ)</i> |
| 14 | <i>Pre-filter(F1) with filter element and Differential pressure gauge (DPI02)</i> | 19 | <i>Pre-filter(F1) with filter element and Differential pressure gauge (DPI01)</i> |
| 15 | <i>Compressed air outlet (GO)</i> | 20 | <i>Condensate drain (D1) and Condensate outlet (CO)</i> |
| 16 | <i>Lifting lugs</i> | | |

Technical product description

4.2 Process flow diagram

Symbolic diagram of the dryer components, their locations and interconnections.



- | | | | |
|----|-----------------------|-----|-----------------------------|
| A | Dryer vessel | D | Condensate drain |
| F | Filter | PI | Pressure gauge |
| V | Valve | DPI | Differential pressure gauge |
| HV | Manual shut off valve | MT | Dew point sensor |
| RV | Check valve | GJ | Gas inlet |
| SB | Strainer basket | GO | Gas outlet |
| ST | Sieve tray | RO | Regeneration gas outlet |
| X | Expansion silencer | CO | Condensate outlet |

4.3 Function description

The operation principle of the dryer is adsorption. The principle of moisture adsorption is water molecules being attracted to a hygroscopic solid material (desiccant). This process is reversible and, after a regeneration phase, the desiccant can be reused for drying.

For compressed air drying the compressed air flow is led through a vessel containing the desiccant and brought into intensive contact with the desiccant. The desiccant removes moisture from the compressed air and stores it in its internal structure. With continuous moisture loading of the desiccant the dryer performance is reduced until the desiccant is saturated with moisture. The saturated desiccant then requires regeneration, i.e. the moisture stored in the inner desiccant structure is removed again. The desiccant can then be reused for drying.

Continuous operation of an adsorption dryer requires two vessels that are operated alternately. One vessel is used for drying the compressed air (adsorption). In the other vessel the regeneration phases are carried out. The change interval between adsorption and regeneration is 6 hours or longer.

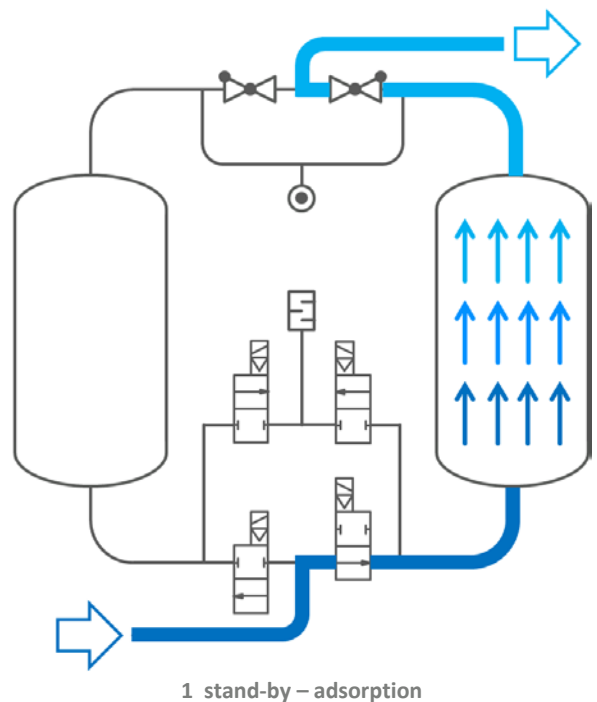
Continuous operation of an adsorption dryer requires two vessels that are operated alternately. One vessel is used for drying the compressed air (adsorption). In the other vessel the regeneration phases are carried out. The change interval between adsorption and regeneration is approx. 5 Minutes*.

Adsorption phase

Duration approx. 3 Minutes to max. 2 hours*

The moist compressed air is supplied from a compressed air source (e.g. compressor) to the compressed air inlet (GJ) of the dryer. The pre-filter (F1) removes dust and liquids from the compressed air flow. The lower valve block (V1-4) forwards the compressed air to the vessel which is in "adsorption" mode (here A2). In the lower part of the vessel the compressed air is decelerated and distributed over the vessel cross-section. The compressed air passes the sieve tray (ST2) and slowly flows through the desiccant bed. The compressed air exits the vessel via the strainer basket (SB2) and is forwarded from the upper check valve block (RV1, RV2) to the compressed air outlet (GO).

The optional dew point sensor (MT01) checks the dryer performance at the compressed air outlet.



During this time the second vessel is in standby mode and waits for operation.

The adsorption phase is completed and the vessels are switched over if...

- ... the cycle mode **"CYCLE MODE – FIX"** has been pre-selected and a time of 5 minutes has expired.
- ... cycle mode **"CYCLE MODE – VAR"** has been pre-selected and optional dew point measurement has reached the selected limit value. The maximum allowable duration of the adsorption time is gradually increased as long as the dew point stays good. Switch-over of the vessels is carried out compulsorily after 2 hours at the latest.

Technical product description

For vessel switch-over the main valves (V1) is opened and shortly later the main valve (V2) is closed. The compressed air flow changes from one vessel to the other. A free flow path through the dryer is available at any time during switch-over. As a result, the task of drying is passed on to the other vessel without interruption.

Now vessel (A2) has gone "offline" and vessel (A1) has gone "online".

Regeneration

Duration approx. 5 min*

After the "wet" vessel (A2) has completed the adsorption phase and passed on the task to the second vessel (A1), the first vessel (offline vessel) runs the regeneration phases.

Regeneration is divided into the following phases:

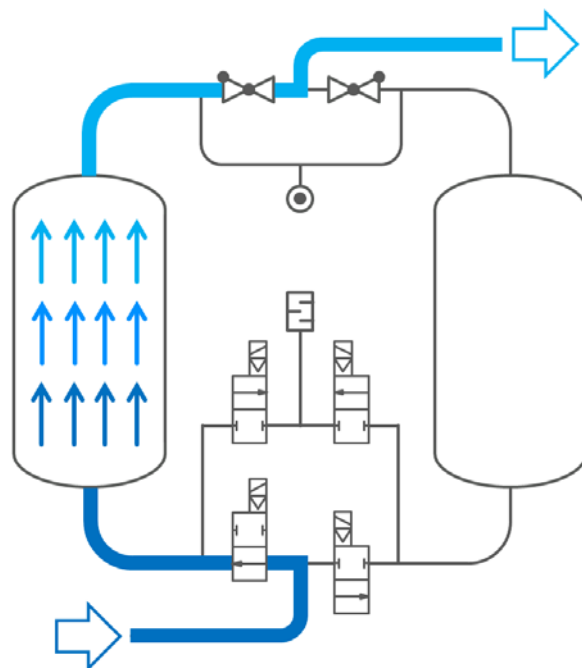
- Expansion
- Purging (regeneration)
- Pressurisation
- Standby

Expansion phase

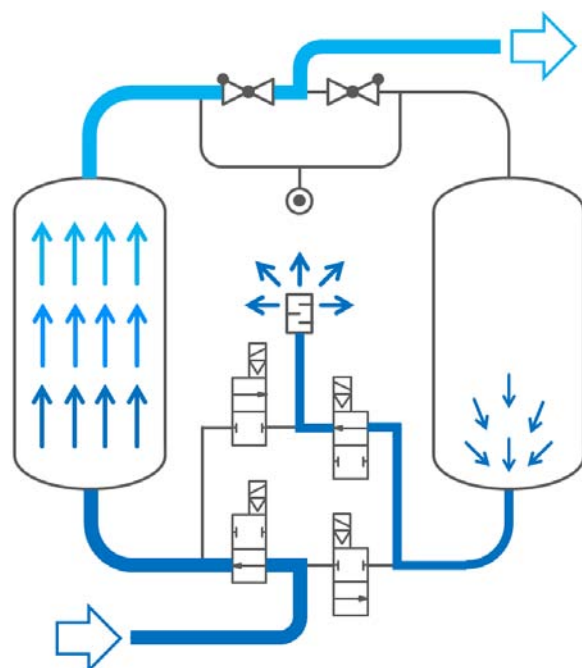
Duration a few seconds*

After vessel switch-over the expansion valve (V4) is opened and the "wet" vessel is depressurised. Via the silencer (X1) the compressed air flows to the outside.

The next phase begins a after the vessel pressure has almost reached atmospheric pressure.



1 adsorption - switch-over



2 adsorption - expansion

Purging (regeneration)

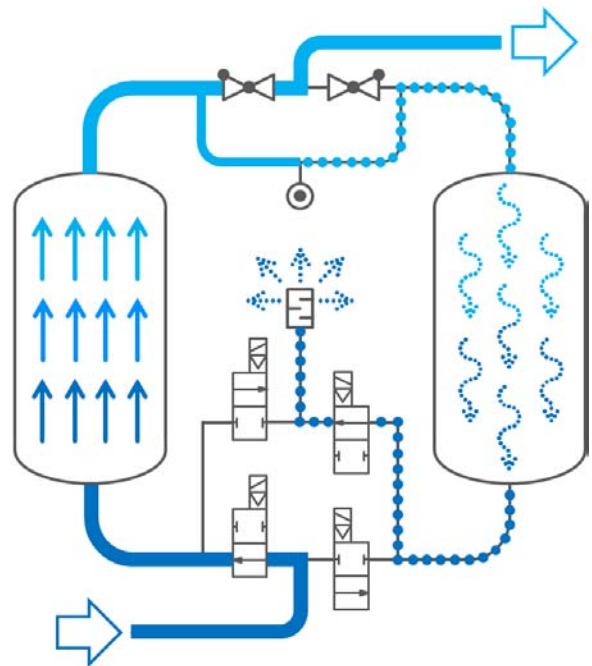
Duration approx. 4 min*

When the vessel pressure drops, dry air (regeneration gas) from vessel (A1) flows through the orifice (O1) into vessel (A2).

The dry and pressureless regeneration gas is distributed throughout the vessel cross-section and led through the desiccant. The dry regeneration air vaporises the water stored in the desiccant. In the form of steam the water, together with the regeneration air flow, is then led via valve (V4) to the regeneration outlet (RO).

The wet regeneration gas is led via the expansion silencer (X1) to the outside.

After a preset time of app. 4 minutes* has expired the purge phase is ended and the next phase begins.



4 adsorption – purging (regeneration)

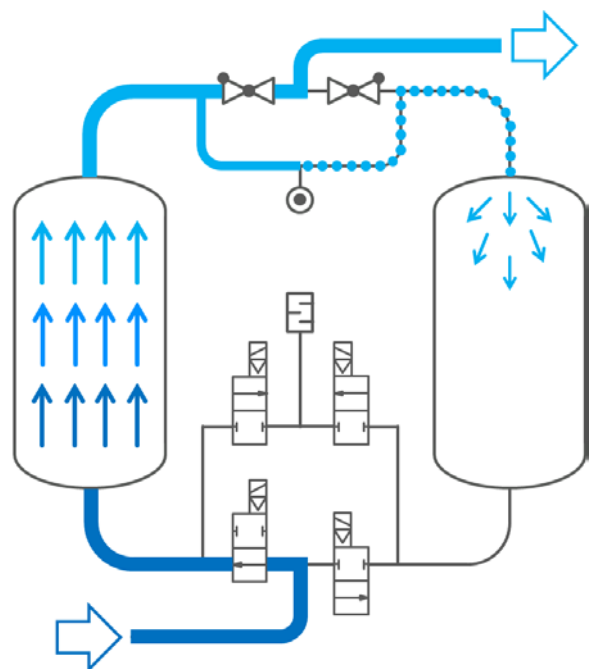
Pressurisation phase

Duration approx. 1 min

The pressurisation phase ensures that the two vessels have the same vessel pressure prior to vessel switch-over.

The regeneration air valve (V4) is closed and dry compressed air continues to flow through orifice (O1) into vessel (A2) gradually equalising the pressure in both vessels. The next phase begins when the vessel pressure is almost the same in both vessels.

After a preset time of app. 1 minute* has expired the pressurisation phase is ended and the next phase begins.



5 adsorption – pressurisation

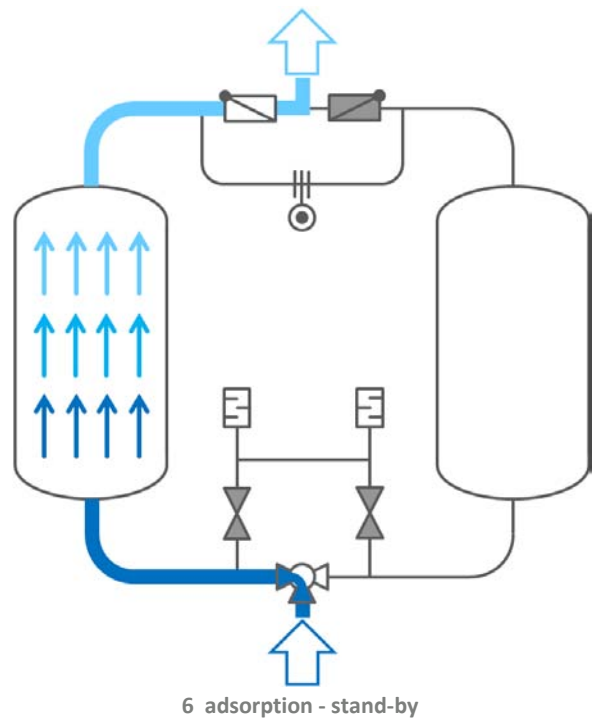
Technical product description

Standby

Duration approx. 0 minutes to max. 2 hours

Vessel regeneration is now complete and the vessel is immediately ready to operate. During this phase the both vessels stay connected via the orifice (O1) Thus the pressure in both vessels stays equal throughout the complete standby phase.

When the current adsorption phase has been completed, the vessels are switched over and the process is restarted (left-right inverted).



* : Note

The above time values are variables which can be pre-set individually for each dryer. Therefore, deviations from the above mentioned values are possible

4.4 Options

Various options are available for improved operation and special installation site conditions. For detailed information on the options or dryer modification to meet your operating and installation site requirements, please contact the manufacturer or the responsible sales partner

Dew point sensor

Control of the adsorption phases changes from purely time-dependent vessel switch-over to load-dependent operation when using the dew point sensor. The dew point sensor allows for considerable energy savings and increased dryer performance.

Use of a dew point sensor is highly recommended.

Automatic start-up device (pressure maintaining valve)

The dryer must always be operated with an adequately high pressure in order to avoid excessive flow velocities in the dryer. There is a danger of damage to the dryer. (→ Page 46)

If the dryer is started against a pressureless compressed air network, the compressed air network must be filled through the dryer. To ensure adequate operating pressure in the dryer the manual valve behind the dryer must be throttled and only be opened very slowly.

In the event the dryer is frequently started against pressureless compressed air networks (e.g. after the weekend) or if there is no personnel available for the start-up procedure, an automatic start-up device is useful. It ensures that there is an adequately high pressure in the dryer at any time during operation.

Regeneration gas back-feed-line

The valve arrangement in the upper check valve block obstructs any reverse flow of compressed air through the dryer. I.e. flow wise the dryer acts like a non-return valve.

The dryer and the piping upstream of the dryer might be depressurised when the pressure is decreased through air loss (e.g. through purge loss during the current regeneration).

This can be avoided by using a regeneration gas back-feed-line.

A regeneration gas back-feed-line is recommended for the following scenarios:

- When the piping upstream of the dryer shall not be depressurised.
- When the operation mode **“CYCLE STOP – FINISH CYCLE”** has been pre-selected and sufficient quantities of regeneration gas shall be available. (→Page 29)
- When the compressor is operated via a pressure switch, that is installed upstream of the dryer and ... the volume between compressor and dryer is too small.
... the compressor is operated in a very narrow pressure band (i.e. the distance between start- and stop-pressure is too small).

Pneumatic dryer control

Sometimes there is no electrical power available at the place of installation or for other reasons the use of electrical power has to be avoided.

Alternatively the dryer can be fitted with a pneumatic control. The instrument air required for the pneumatic control is taken from dryer outlet (GO).

The pneumatic control enables the dryer for the use in ex-proof classified areas in some countries. However, additional measures on the dryer are necessary to fulfil the requirements of the ex-proof regulations of the European Community (“ATEX”). Please contact the manufacturer for further information.

Technical product description

Frost protection insulation with trace heating

In the event of ambient temperatures below +1°C all the wet-operated components must be protected against freezing. After evaluating the local conditions a suitable frost protection can be provided.

Paint-compatible version

Compressed air for paint work must be free from silicone and other paint-wetting impairment substances.

For this purpose, the dryer can be manufactured with components and process materials that are free from these substances or approved for paint work by the automotive industry.

The dryer is manufactured under normal shop-floor environments, however, with a special focus on cleanness.

The product quality can therefore be considered "technically free from paint-wetting impairment substances".

Further options include:

- Special voltages: 115V – 50-60Hz , 24V-DC
- Stainless steel versions (completely or partly)
- Alternative pressure vessel approvals (PED Module G, ASME U-Stamp, China-Stamp, GOST, ...)
- Additional pressure vessel documentation (drawing, stress calculation, material certificate 3.1, certificate of hydrostatic pressure test, welding documentation, ...)
- Safety valves (valve provided separately)
- Weather protection (rain protection, complete insulation, frost protection, increased class of protection (IP protection class), ...)

5. Operating elements

Nachfolgend werden die Komponenten des Trockners beschrieben, über die der Trockner überwacht und bedient werden kann.

5.1 Power connector



The power supply is connected via a female power connector (1) (part of the dryer scope)

Loosen the mounting screw of the power connector and pull the power connector off the male power connector (2).

Now the control (3) is disconnected for the power supply.



The main valves open when the power supply is interrupted

Please note that both main valves will open instantly when the power supply is interrupted. I.e. a pressureless vessel in regeneration mode will be pressurised via the main valve with a sudden pressure blow.

We recommend to wait until both vessels have reached equal pressure before you remove the female connector (e.g. when the cycle is close to the end of the “pressurisation phase” or during “stand-by”



Switch off the dryer from remote

The dryer consumes only little power. Therefore the dryer can be switched off by externally interrupting the power supply.

A standard line switch installed in the power supply line is sufficient to switch off the dryer.

The dryer control is fitted with a digital input port (“compressor contact”). The dryer program can be stopped and restarted via this “compressor contact” without interrupting the power supply. (→ Seite 30)

5.2 Differential pressure gauges on the filters



The pre- and after-filter of some dryers are fitted with differential pressure gauges. The differential pressure gauge gives evidence of the condition and the degree of contamination of filter element.

For further information and instructions please refer to the manual of the filter and the differential pressure gauge.

5.3 Pressure gauge



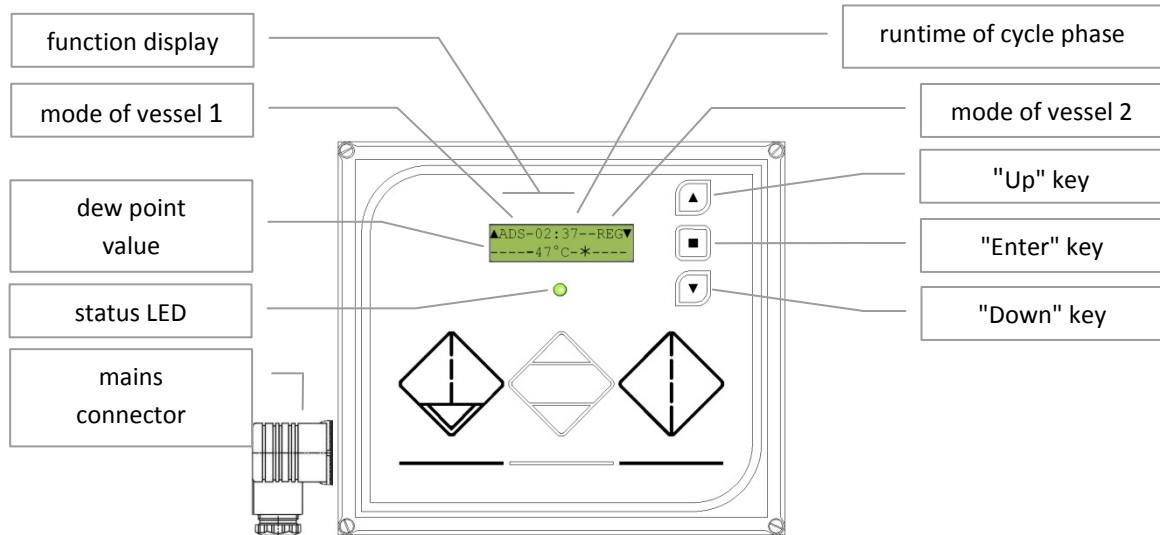
The vessel pressure of each vessel is shown on their respective pressure gauge PI01 / PI02.

The pressure gauges allow to monitor the proper function of the dryer. When the display shows “**REG**” the corresponding pressure gauge should indicate a pressureless vessel.

5.4 Control

The dryer is operated via the display and tree function key on the dryer control.

5.5 Function keys and display



The appliance connector is used to supply the C1 control system with the operating voltage. Following voltage connection the display will indicate the software version number for approximately 5 seconds.

The control system then immediately changes to the operating mode and starts in the program step at which it was last shut down. As a rule, all the operating states and settings are memory-resident, i.e. the control system will automatically continue the control program after a power failure.

The function display indicates all the relevant operating situations and the associated residual runtime and the pressure dew point*. After pressing a key the display backlight is on for 2 minutes. The status LED additionally informs you about the energy-saving mode and the alarm states.

Operation and entry of the setting values is carried out using the 3 keys. For further information, please refer to the menu structure. The language used for the control system is "easy" English.

Mode	Function	Display	Status
ADS	vessel adsorption	5:00 min - cannot be read	Input valves at vessel 1 or 2 opened
REG	regeneration	3:59 min - residual time indication	Expansion valves at vessel 1 or 2 opened
REP	repressurisation phase	0:59 min - residual time indication	Expansion valves at vessel 1 or 2 closed
CHG	vessel changeover	0:03 min - residual time indication	no valve activated
ECO	economy mode	xx:xx min - time indication	Expansion valves at vessel 1 or 2 closed
STB	standby mode	no time indication	Expansion valves at vessel 1 or 2 closed
LED	status indication		
Green	normal operation		
Orange	economy mode		ECO is indicated for one vessel
Red	alarm, flashing	message/dew point value	Acknowledge alarm manually via "Enter" key

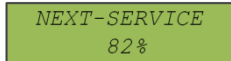
5.6 Direct indication

Pressing the arrow keys allows for directly accessing additional information on the operating mode, energy savings and service monitor.



CYCLE MODE
VAR ECO 00:15:00

"Cycle Mode" indicates the VAR or FIX operating modes as well as the number of days, hours and minutes the dryer was in economy mode.



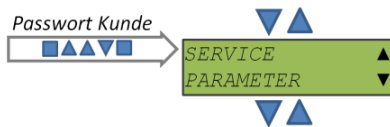
NEXT-SERVICE
82%

"Next Service" indicates the time (as a percentage value) elapsed for the next service message to be shown. This value depends on the actual utilisation of the dryer. For this value, the pure operating hours are counted which the dryer used for regeneration. Depending on the operation intensity the time to reach the percentage value = 100% and to display the service message may be different.

5.7 Menu guide

Access to the menu structure and thus to the parameter settings is generally password-protected against unauthorised access. Keep this operating manual in a safe place and make sure it is available for maintenance.

The password is:



The menu is structured in two paths. Pressing the "Up" arrow key selects the service section. Pressing the "Down" key selects the parameterisation section.

Pressing the "Down" key selects the corresponding menu item. Pressing the "Enter" key opens the parameterisation level. On this level, the setting value can be changed using the "Up" and "Down" keys. Confirm the settings entered using the "Enter" key. The display returns to the menu item.

The numeric codes in the service section are also set using the arrow keys. When entering a digit the cursor jumps to the next position until the code has been entered completely.

5.8 Parameter settings

The table shows all the parameters, their default settings and their function.

Menu	Default settings	Value range	Function
CYCLE MODE	VAR	FIX VAR	In FIX mode the control time program is executed without being affected. VAR mode provides the energy-saving function. Internal dew point measurement or an external signal (IN2) will affect the control time.
CYCLE STOP	FINISH CY- CLE	FINISH CYCLE DIRECT STOP	When opening the compressor synchronisation contact in DIRECT STOP mode the expansion valves open immediately and vessel change will be prepared. In FINISH CYCLE mode the regeneration cycle started will be completed. Please note that the dryer still requires compressed air for this purpose! <i>See also compressor synchronisation.</i>
PDP SET	-40°C *	20°C * to -100°C*	Threshold value for dew point control.
PDP ALARM SET	-25°C *	20°C * to PDP SET	Threshold value for dew point alarm.
PDP SENSOR	ON	ON OFF	Switches internal dew point measurement on/off.
PDP DISPLAY	ON	ON OFF	Switches dew point value indication on/off (4-20 mA signal at X10 is not affected).
ALARM PDP	ON	ON OFF	When ON, the dew point alarm controls the alarm relay. When OFF, the relay is not controlled.
PDP ALARM DELAY	00:10 s	00:00 .. 20:00	Alarm relay control can be delayed for up to 20 minutes. In the event the dew point alarm falls again within the delay time, the alarm relay will not be switched.
TEMP UNIT	°C	°C (degrees Celsius) °F (degrees Fahrenheit)	Changes the temperature indication.
ALARM FILTER1	OFF	ON OFF	Input IN3 can be used to evaluate the threshold switch of a differential pressure gauge on the upstream filter. The result can be indicated in the form of an alarm.
ALARM FILTER2	OFF	ON OFF	Input IN4 can be used to evaluate the threshold switch of a differential pressure gauge on the downstream filter. The result can be indicated in the form of an alarm.
FILTERALARM DLY	00:20 s	00:00 .. 20:00	Delay time for the filter alarm up to 20 minutes. This function can be used to suppress alarm activation caused by rapid volume flow changes (peaks).
ALARM OVERFLOW	OFF	ON OFF	"Overload" of the dryer can be detected by simultaneously monitoring the differential pressure monitors on the upstream and downstream filters. An overflow alarm is activated when the signals from IN3 and IN4 are present during the alarm delay time.

5.9 Compressor synchronisation function

The CYCLE STOP menu item is used to select the control system behaviour for the signal at the digital input IN1. By default, IN1 is provided with a jumper. If the jumper is opened, the control program is set to the standby mode. There are two options:



In DIRECT STOP mode the control system is stopped immediately and outputs Y3 and Y4 are not (no longer) controlled. All the time values expired until then will be "frozen" (stored).



In FINISH CYCLE mode the control system will only be stopped after completing the regeneration cycle, and outputs Y3 and Y4 are not (no longer) controlled. All the count values will also be "frozen".

Independent of the type of cycle completion "STB" is indicated for both vessels on the display.

Example: IN1 can be connected to the auxiliary contacts of a compressor. This synchronises the dryer with the compressor. The dryer only regenerates with compressed air being produced. The influencing compressor synchronisation contact does not affect the input valves. The compressor synchronisation contact can also be used as a remote switch and can, for example, be connected to higher-level time or emergency control systems.

5.10 Dew point measurement and energy-saving function

If the internal dew point measuring system is used with a pressure dew point sensor or if an external measuring instrument is used with a 4-20 mA signal output, it must be registered to the control system. For this purpose the option in the PDP SENSOR menu must be set to ON.



The working point of the dryer is specified by the dew point threshold value. It can be set in the PDP SET menu using the arrow keys. The default setting is -40°C *.

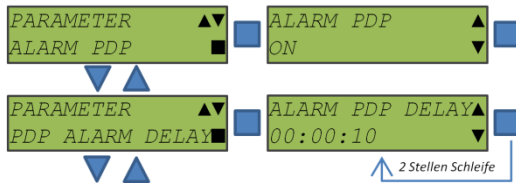


Every time the dryer is not operating at the performance limit (i.e. at maximum volume flow rate), a better (lower) pressure dew point value can be achieved than specified by the threshold value set. The dryer then switches to the ECO mode and delays the next vessel change or regeneration phase until the measured dew point value exceeds the threshold value. For information on the total time the dryer was in ECO mode, please use the direct indication method and refer to 3.2.



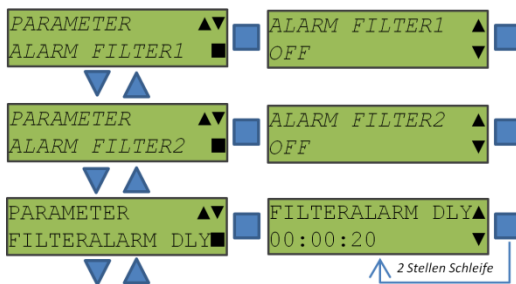
The dew point alarm is preferably set with a distance of 10° to 20° to the dew point threshold value. This prevents hypersensitive reactions of the alarm messages from occurring. Spontaneous fluctuations of

the measured dew point value caused by pressure or load variations within the system are inevitable. Direct activation of the dew point alarm sensor in the event of dew point peaks can also be suppressed by setting a longer delay time. This rule applies: For the entire delay time the measured dew point must be worse than the alarm value set.



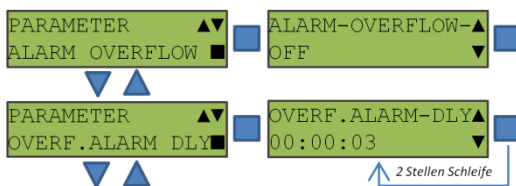
5.11 Filters for differential pressure monitoring

The pre- and afterfilters of an adsorption dryer can optionally be provided with differential pressure gauges with an integrated differential pressure monitoring contact. Using the C1 control system the contact signals can be separately evaluated and indicated for the upstream and downstream filters. The connections are provided via switching inputs IN3 and IN4. You can individually switch the alarms on or off and delay their evaluation.



5.12 Overflow monitor

If the pre- and afterfilters are provided with differential pressure monitors (as described in 3.7), the overflow can be evaluated by means of common interrogation of both contacts. It can be assumed that the dryer will be strongly overloaded (internal flow rates too high), if the differential pressure monitors on the upstream and downstream filters are activated simultaneously.



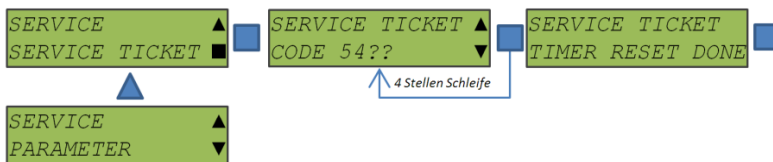
The ALARM-OVERFLOW monitor is switched off by default. The delay time should always be shorter than the delay time of the separate differential pressure monitor on the filters.

5.13 Service ticket

The control system program counts the switching cycles of the dryer. This allows for representing the vessel load changes on the one hand and for calculating the actual capacity utilisation or the desiccant and upstream/downstream filter wear using the count values in relation to the duty cycle on the other hand. After reaching a threshold value (66,400 complete load changes (corresponds to approx. 1 year) under normal operating conditions) a service warning message is indicated.

To acknowledge the service warning message a 4-digit numeric code ("service ticket") must be entered. Every time buying service parts and filter elements the customer is provided with a new service ticket including the numeric code. Once a numeric code has been used it cannot be entered again. Upon indication of the next service warning message the control system expects a new code to be entered.

The path for entering the service parameters and monitoring functions can be accessed by entering the password and pressing the "Up" arrow key.

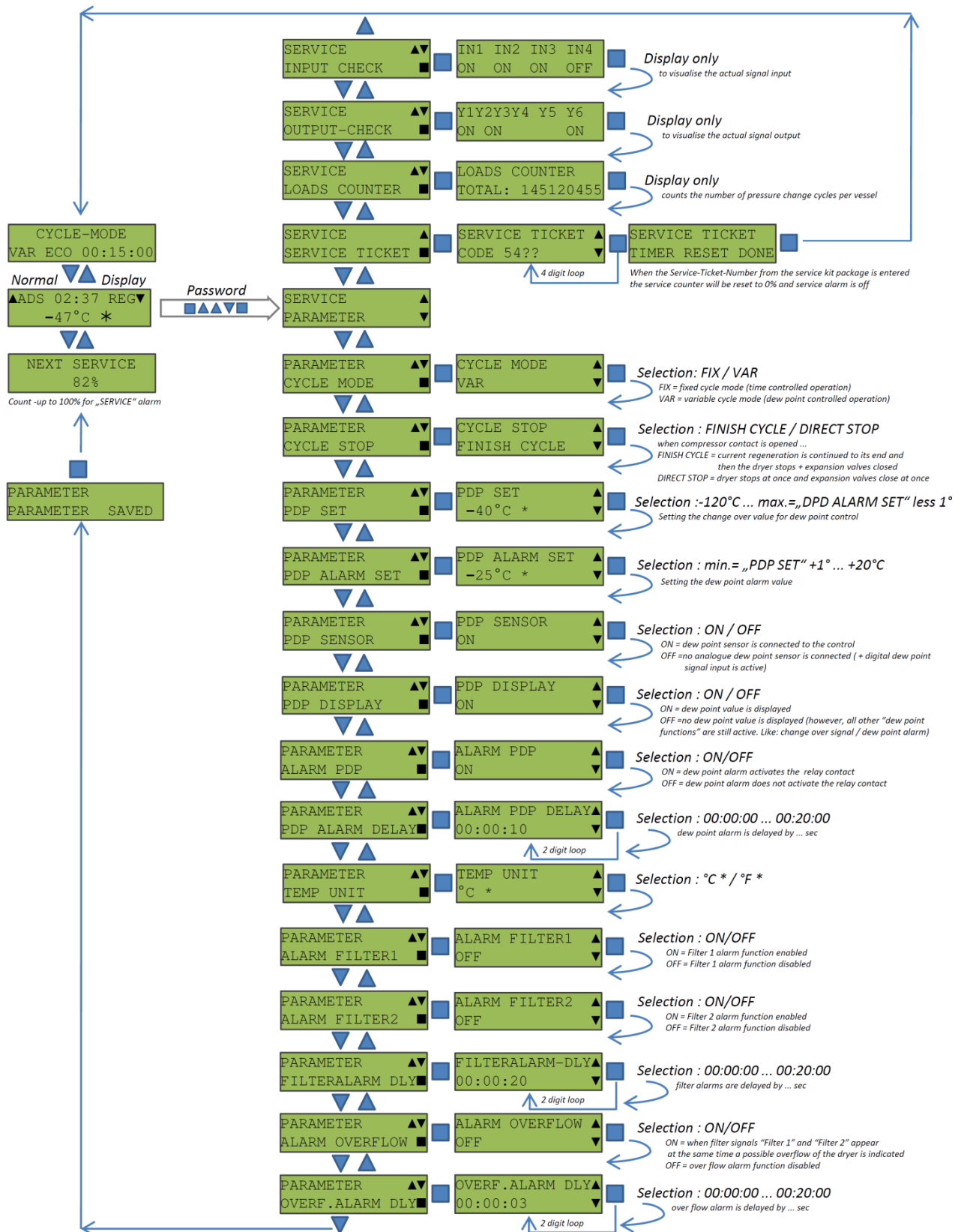


The number of the ticket code is entered digit by digit using the arrow keys. The cursor moves to the next digit by pressing the "Enter" key.

When the correct ticket code has been entered *TIMER RESET DONE* is indicated. When the wrong code has been entered *TIMER RESET FAIL* is indicated.

If the ticket code has not been entered correctly, it can be entered again after approximately 2 minutes. If, after this try, the ticket code is not entered correctly again and again, the waiting time for the next try doubles each time until the correct code is entered.

5.14 Menu structure



6. Error analysis table

<i>Error</i>	<i>Cause</i>	<i>Measure</i>
Control system not ready to operate / LED not on	Voltage supply missing	Check voltage supply and switch on, if necessary.
	Appliance connector installed incorrectly	Check cable connections on appliance connector.
	Fine-wire fuse defective	Replace fine-wire fuse (500 mA, slow-blowing).
Valve not working	Cable connection to magnetic coil defective	Check cable connection and reinstall, if necessary.
	Magnetic coil defective	Check magnetic coil using ohmmeter.
	No voltage at valve output	Switching transistor of output may be defective.
No dew point value on display	Sensor not registered	Register pressure dew point sensor to control system, see 3.6.
Indication ALARM SENSOR	Sensor cable connected incorrectly	Remove contact problems and check wiring, see table 2.6, X9.
	Sensor defective	Check dew point sensor and send it back to be inspected, if necessary.
	Too much moisture in sensor	The sensor was in contact with splash water. Dry the sensor slowly. Never dry the sensor using compressed air!
Dew point indication ---°C *	Signal of dewpoint transmitter below 4 mA	Indicates heavy dirt accumulation on the active sensor surface. The sensor has to be replaced.
	Signal of dewpoint transmitter below 4 mA	4-20 mA signal adjusted incorrectly during connection of external dew point measuring instruments.
Dew point indication +++°C *	Signal of dewpoint transmitter above 20 mA	Active sensor surface is very moist and must be dried carefully.
	Signal of dewpoint transmitter above 20 mA	4-20 mA signal adjusted incorrectly during connection of external dew point measuring instruments.
Dew point indication incorrect	Possible only if external dew point measuring instruments are connected. Default scaling of 4-20 mA signal not matching.	Adjust 4-20 mA scaling (by manufacturer service only). Set 4-20 mA output of external measurement system.
Indication ALARM FILTER	Differential pressure monitor has been triggered	Acknowledge alarm using "Enter" key.
	Cable connection from/to differential pressure monitor defective (open)	Check cable connection from control system using a continuity tester. In normal state the contact loop needs to be closed.
Indication ALARM OVERFLOW	Differential pressure monitor has been triggered. The upstream and downstream filters have been triggered simultaneously. Dryer has been overloaded.	Acknowledge alarm using "Enter" key. Frequent overloading of the dryer considerably damages the desiccant.
Indication ALARM DEWPOINT	Dew point value above the alarm value	Acknowledge alarm using "Enter" key. Dew point alarms occurring more frequently after some years of operation indicate that the desiccant capacity is exhausted.
Indication ALARM 24VDC	Internal monitoring function of the control system has been triggered	Disconnect control system from voltage and restart after approx. 30 seconds. Contact manufacturer service in the event the control system fails to restart.

<i>Error</i>	<i>Cause</i>	<i>Measure</i>
Dryer switches over without pressurisation phase (one side or two sides)	Supply lines of input valves and expansion valves mixed up	Check installation according to table in 2.6 and diagram in 2.5.
Expansion noise of dryer is too loud and, at the same time, there is pressure loss in the system	Supply lines of input valves V1 and V2 mixed up	Check installation according to table in 2.6 and diagram in 2.5. Try to change the connections, if necessary.

7. Transportation, setting up and storage

7.1 Transportation

**DANGER ! – Damage**

Damages of the dryer may lead to unpredictable hazardous situations.
Operating a damaged dryer may result in serious injury or death.
Never start to operate a damaged dryer.

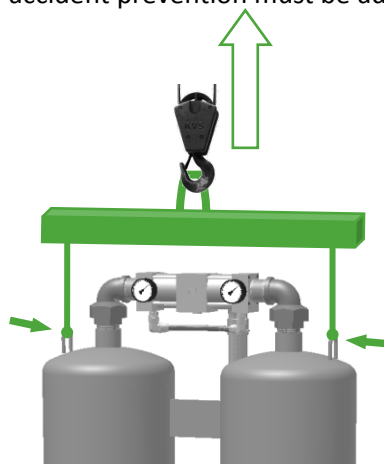
**DANGER ! – Risk of tilting**

The centre of gravity is in the upper part of the dryer.
Tilting of the dryer may result in serious injury or death.
During transport and during loading and unloading secure the dryer against tilting using the lifting lugs.

Although great care is taken damages caused by transportation cannot be ruled out. Therefore, always check the dryer for possible damages after transportation and packaging removal.

The haulage contractor and the manufacturer or the sales partner must immediately be informed about any damage.

- Make sure to provide adequate lifting equipment when transporting and loading or unloading the dryer.
- Persons responsible for transportation must be appropriately qualified.
- The dryer must only be lifted at the appropriate points using lifting equipment. (Transport pallet; base frame; support feet; lifting lugs at the top of the vessel) (→ see Figure).
- Transport the dryer in upright position. Horizontal transportation may lead to mixing of the different desiccant layers thus causing malfunctions. Please contact the manufacturer first if the dryer needs to be tilted for transportation.
- Take the dryer weight and the maximum allowable load of the lifting and transport equipment used into account.
- Do not remove the packaging material until the dryer is moved to its final place of installation.
- The national regulations for accident prevention must be adhered to.



7.2 Setting up

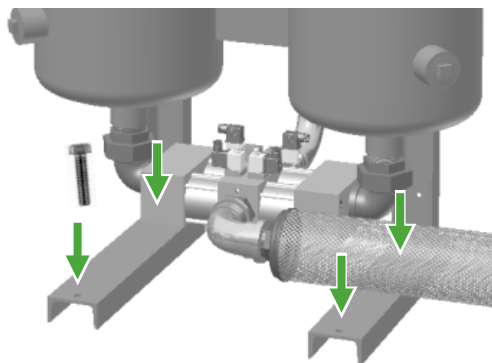
Please refer to section "Description of application" (→ page 9). Here, you will find a list of requirements on the installation site.

Important data of the dryer can be found in section "Technical data" (→ page 11).

Additional requirements on the installation site:

- The ground for dryer installation must be level and capable to carry heavy loads. Ground irregularities must be levelled in order for tensional forces not to occur in the piping of the dryer. When calculating the total weight, please take the additional load during a hydrostatic pressure test into account. The volume information on the vessel helps when calculating the additional weight.
- Because of noise emissions the installation site should not be in the vicinity of stationary workplaces.
- Keep a service distance to walls and other systems around the dryer of 1 m, minimum.
- During maintenance of the dryer components lifting equipment with adequate load capacity should be available and access of this equipment to the dryer must be ensured.
- The place of installation should not be in the vicinity of hallways in order to avoid risks to inexperienced persons.
- Set up the dryer such that the pressure gauge and the control system are clearly visible and can be operated properly.

We recommend anchoring the dryer into the ground using the holes in the vessel supports.



7.3 Storage

To maintain the dryer quality the dryer must be stored at a suitable location and properly prepared for storage.

The place of storage has to fulfil the following requirements:

- Indoors
- Protected against weather impact
- Frost-free
- Dry

If the dryer is to be stored immediately after delivery, it must only be protected against dust using an additional cover.

If the dryer has already been used for drying compressed air, please proceed as follows:

- 1) Disconnect the compressed air flow from the dryer by closing the valves up- and downstream of the dryer.
- 2) Change the setting of the control to „CYCLE MODE – FIX“.(→ Page 30)
- 3) Operate the dryer for at least 4 more hours without compressed air flowing through the dryer. This ensures the dryer to be stored with dry vessels. The more regeneration cycles are performed, the dryer the desiccant.
- 4) Decommission the dryer. (→ Page 48)
- 5) Depressurise the dryer. (→ Page 49)
- 6) Disconnect the dryer from the electrical supply. (→ Page 25)
- 7) Disconnect the dryer from the compressed air system.
- 8) Close the inlets and outlets of the dryer using flange covers.
- 9) Place a desiccant bag in the control box.
- 10) Protect the dryer against dust using a cover.

To recommission the dryer after storage, please proceed as described for initial commissioning. (→ Page 45)



CAUTION ! – Moisture in electrical components

Long-term storage may lead to penetration of moisture into electrical components. This may result in short circuits or damages to these components.

Check the electrical dryer components for internal moisture.

The necessary actions (insulation resistance test) must only be performed by a qualified electrician.

8. Installation

8.1 Installing the connecting pipelines



DANGER ! – Overpressure

The dryer is under pressure.

Suddenly escaping compressed air may result in serious injury.

Do not carry out mechanical or electrical work on the dryer as long as the dryer is under pressure.



DANGER ! – Overload

The dryer must only be operated with compressed air within the maximum allowable operating conditions. The operating conditions are defined on the type plate (→ page 12).

Exceeding the maximum allowable operating conditions may result in serious injury or death.

It is the duty of the operator to ensure that the connected pressure source is safe-guarded such that the maximum allowable operating pressure (PS) and the maximum allowable temperature (TS) are not exceeded.

Please also refer to section “Intended use” (→ page 9).



DANGER ! – Bursting components due to external forces

The dryer components are not designed for externally applied forces and may burst due to additional load impact.

Bursting, pressure-bearing components may result in serious injury or death.

The support required for the connected pipelines has to be provided by the customer. Transmission of loads or stress into the connection flanges of the dryer is not permissible.

Proper installation is required for safe and error-free operation of the dryer.

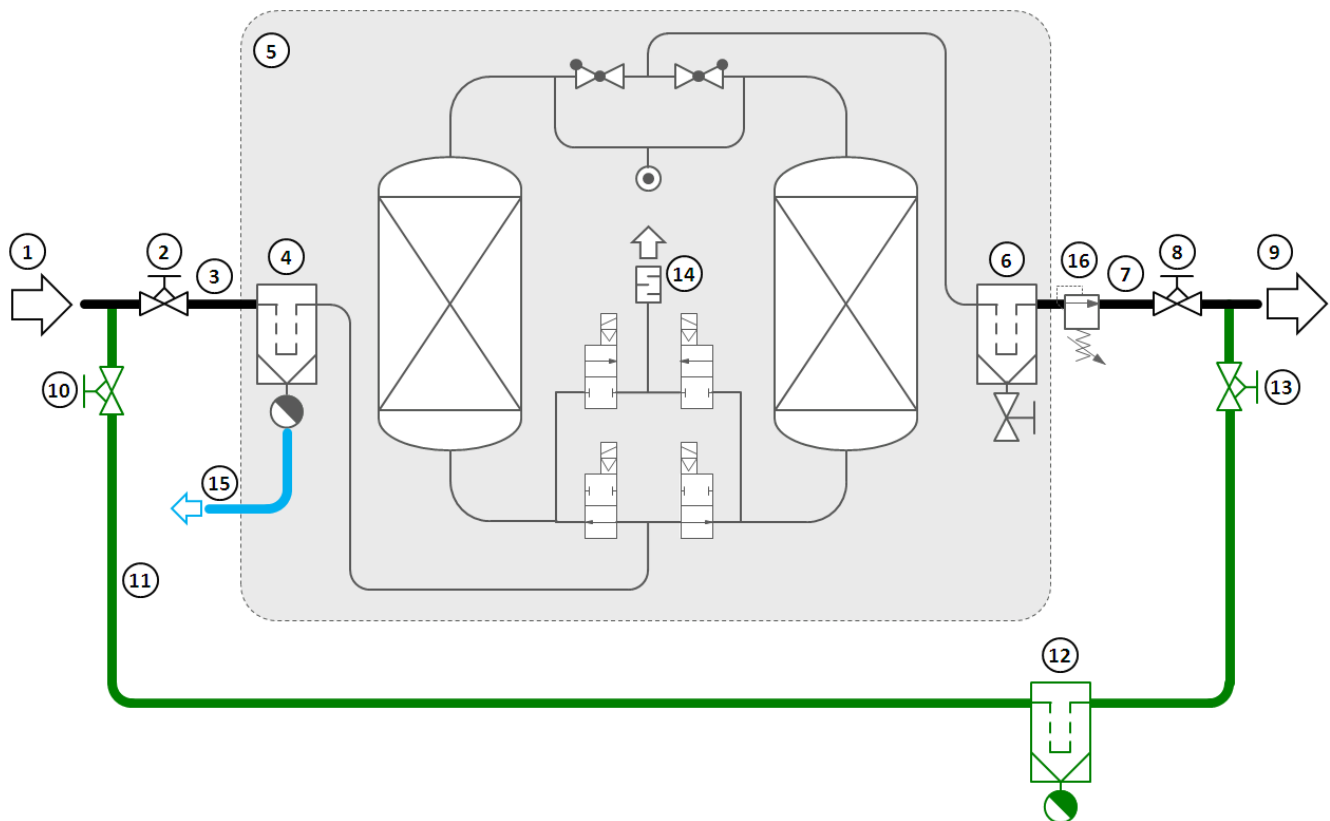
Please observe the following steps when installing the compressed air pipeline (4) + (6):

- Make sure that the dryer and the compressed air system are free from pressure. If the compressed air system has to remain under pressure during installation, the shut-off valves have to be protected against unintentional opening. (2) + (8)
- The compressed air source (e.g. compressor) must be safe-guarded against exceeding of the maximum allowable operating pressure using safety equipment.
- The compressed air pipelines must be provided with shut-off valves used for disconnecting the dryer from the piping system (2) + (8). We recommend using shut-off valves with continuous opening behaviour (e.g. shut-off valves with stem or gear handwheel). This valve behaviour avoids sudden pressure equalisation between the piping sections.
- We recommend using a bypass line (11) around the dryer.
- The pipelines must be suitable for use with the maximum possible operating pressure.
- The transfer points (threaded or flanged connections) have to be compatible to the dryer inlet and outlet with regard to nominal width, nominal pressure and type. (→ See general arrangement drawing in the appendix)
- Any vibrations or pulsation must not be transmitted to the dryer via the piping. This may damage the desiccant, the dryer control system or other components. If required, install compensators or pulsation absorbers in the pipelines to be connected.

Installation

- Wet pipelines upstream of the dryer (4) should be installed at a slope in order for condensate (water and oil) in the line to be discharged in flow direction. If installation of an upright pipeline is inevitable, a condensate drain must be provided at the lowest point of the pipeline. This avoids condensate from being accumulated in the pipeline and suddenly being swept away by the compressed air flow. These kinds of water shocks may damage the filter and dryer and must be avoided.
- Prior to closing the connected pipelines, please check that there are no objects or contaminations left in the pipelines.
- Remove the end caps from the dryer inlet and outlet.
- When checking the installation for leaks the maximum allowable operating pressure of the dryer must not be exceeded. (→ See specification on the type plate, page 12)
Never fill the dryer with water when performing a pressure test. Liquids will destroy the desiccant!

Installation example



- | | |
|-------------------------------------|--|
| 1 Compressed air inlet | 9 Compressed air outlet |
| 2 Valve at compressed air inlet | 10 Bypass valve at inlet |
| 3 Compressed air pipeline at inlet | 11 Bypass line |
| 4 Pre-filter with condensate drain | 12 Bypass filter with condensate drain |
| 5 Dryer | 13 Bypass valve at outlet |
| 6 After-filter with manual drain | 14 Expansion silencer |
| 7 Compressed air pipeline at outlet | 15 Condensate line |
| 8 Valve at compressed air outlet | 16 Pressure maintaining valve |

Please note that the standard scope of supply only comprises the dryer (5) in the grey outline.

8.2 Installing the power supply



DANGER ! – Electric voltage

The dryer is operated at electric voltages up to 230 V.
Touching live parts may result in serious injury or death.



Work on electrical components must only be carried out by qualified and authorised personnel.
Use a voltage detector to make sure the dryer has been disconnected from the power supply and that there are no live parts before starting maintenance work.



In the event of fire, do not extinguish the fire using water.



CAUTION ! – Qualification and experience required

Persons working on and with the dryer have to be qualified personnel who, because of their qualification and experience, are familiar with handling compressed air systems and electrical systems. If you are not experienced in using these systems, please ask the relevant experts for help. We highly recommend that commissioning and maintenance be carried out by the manufacturer or one of the authorised service partners.



DANGER ! – Moisture and contamination in electrical components

Moisture and contamination in electrical components may lead to damages resulting in unpredictable dangers for the operating personnel. As a consequence, short circuits and faulty circuits may occur.

Always keep the control box and the terminal box dry and free from contamination and foreign bodies.

Make sure the control box and the terminal box are securely closed during operation.



Qualified electrician required

Electrical connection of the dryer must only be carried out by a qualified electrician who is familiar with reading electro-technical documentation.

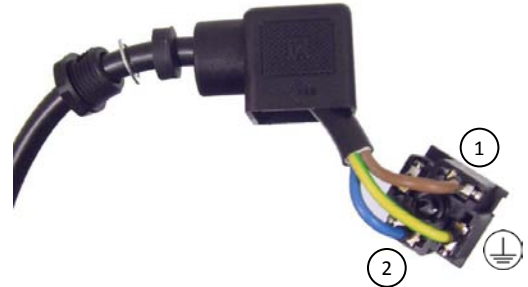
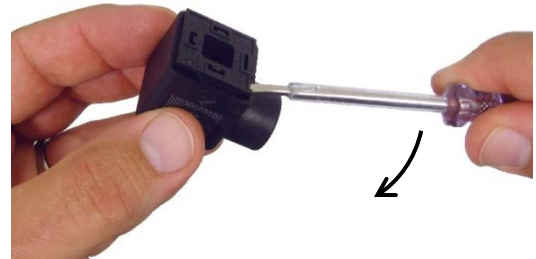
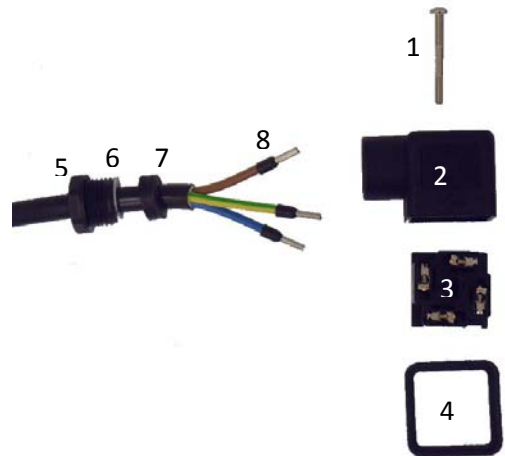
For the data required for connecting and securing the voltage supply, please refer to the wiring diagram (→ see appendix: wiring diagram)

The power supply is connected via a female power connector on the dryer control box (part of the dryer scope):

- 1) Use a cable that is sufficiently sized for the voltage and power consumption of the dryer when connecting the dryer to the power supply. (→ see appendix: wiring diagram)
- 2) Make sure the power supply is switched OFF and secure it against unintentional reclosing.
- 3) Pull the female power connector off the male power connector on the control box. (→Page 25)

Installation

- 4) **Remove the mounting screw** (1) from the connector housing (2) first.
(The mounting screw serves as locking device for the connector insert (3). The connector insert cannot be removed from the housing of the power connector before the mounting screw has been removed.)
- 5) Carefully lift the connector insert (3) out of the connector housing using a small screw driver.
- 6) Lead the cable (8) through the various components of the cable gland:
(5) gland plug
(6) washer
(7) rubber seal
Now lead the cable through the gland opening in the connector housing (2).
- 7) Connect the leads of the cable according to the information in the wiring diagram.
- 8) Put the connector insert (3) back into the connector housing (2). Put the connector seal (4) back onto the female power connector and tighten the cable gland (5).



Communication interfaces

The dryer is provided with different signal inputs and outputs for dryer control and dryer monitoring. These communication interfaces are used to implement improved monitoring and economical operation of the dryer. For the interfaces, please refer to the wiring diagram (→ see appendix).

The connection of the signal cables is done via the cable glands on the bottom side of the control box:

- 1) Pull the female power connector off the male power connector on the control box in order to disconnect the dryer control from the power supply. (→Page 25)
- 2) Open the housing of the control box.
- 3) Individual ports for each IN and OUT signal are available on the circuit board. The allocation of these ports is shown in the wiring diagram.
- 4) Choose the cable type according to the details stated in the wiring diagram.

- 5) Loosen a cable gland with free cable ports and remove the blind plug from the cable feedtrough.
- 6) Connect the leads of the signal cable according to the information in the wiring diagram.

The standard scope of the dryer includes the most frequently used connector plugs and cable feedtroughs. Additional connector plugs and cable glands are required when all signal ports are used. Details of the connector plugs and cable glands can be found in the parts list of the wiring diagram.

9. Commissioning



CAUTION ! – Qualification and experience required

Persons working on and with the dryer have to be qualified personnel who, because of their qualification and experience, are familiar with handling compressed air systems and electrical systems. If you are not experienced in using these systems, please ask the relevant experts for help. We highly recommend that commissioning and maintenance be carried out by the manufacturer or one of the authorised service partners.

9.1 Requirements for initial commissioning

All the requirements for unhindered commissioning must be fulfilled, especially when commissioning is carried out by external qualified personal.

Make sure the following requirements for initial commissioning have been fulfilled:

- External qualified personnel have been informed about the commissioning date in good time (2 weeks in advance, minimum).
- External qualified personnel have been informed about the following in good time: special local conditions; site-specific safety guidelines; required safety instructions, if necessary; specially required qualifications, if necessary; special personal protective equipment.
- The place of installation can be freely accessed and entered without any risks.
- Neighbouring construction sites do not affect commissioning.
- The dryer is connected to the compressed air system using pipelines. (→ Page 39)
- The dryer is connected electrically and voltage supply is ensured. (→ Page 41)
- The compressor is ready to operate and personnel for starting and operating the compressor are present.
- Compressed air can be delivered to the downstream system. A volume flow rate of at least 40% of the nominal dryer performance can be led through the dryer.
- The dryer is classified pressure equipment (see declaration of conformity in the appendix). Prior to commissioning the dryer has to be approved by the local authorities according to the applicable national regulations. In the EU, the Pressure Equipment Directive 97/23/EC has to be observed.

Please check the following directly before commissioning:

- The operating limits must not be exceeded. (→ Page 9)
- The female power connector is pulled off and the control box is disconnected from the voltage supply. (→ Page 25)
- The shut-off valves provided by the customer and located upstream and downstream of the dryer are closed.
- The connections may have become loose due to dryer transportation. Make sure the piping connections, screwed joints and pneumatic lines are tightly secured. Tighten loose connections using the appropriate tools.

- Make sure the cable clamps in the control box are tightly secured. Tighten all the screw connections using the appropriate tools.
- Check all the components for visible damages. If there are defective components, commissioning of the dryer is not permitted!



DANGER ! – Moisture and contamination in electrical components

Moisture and contamination in electrical components may lead to damages resulting in unpredictable dangers for the operating personnel. As a consequence, short circuits and faulty circuits may occur.

Always keep the control box and the terminal box dry and free from contamination and foreign bodies.

Make sure the control box and the terminal box are securely closed during operation.

9.2 Commissioning the dryer



DANGER ! – Overpressure

The dryer is under pressure.

Suddenly escaping compressed air may result in serious injury.

Do not carry out mechanical or electrical work on the dryer as long as the dryer is under pressure.



DANGER ! – Electric voltage

The dryer is operated at electric voltages up to 690 V.

Touching live parts may result in serious injury or death.



Work on electrical components must only be carried out by qualified and authorised personnel.

Use a voltage detector to make sure the dryer has been disconnected from the power supply and that there are no live parts before starting maintenance work.

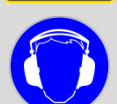


In the event of fire, do not extinguish the fire using water.



WARNING ! – Suddenly escaping compressed air (3)

The dryer is depressurised approximately every 6 hours using a silencer. A loud and strong air-stream may carry small particles and cause injury.



Do not place any equipment in the vicinity of the silencer. The silencer must not be manipulated or removed. Always wear hearing protectors when working in the vicinity of the dryer.

If all conditions required for commissioning are fulfilled, the commissioning procedure can be started. Perform the following steps in the listed order.

9.2.1 Pressurisation of the dryer



CAUTION ! – Pressure blows and overload

Rapid opening of the valves may cause pressure blows and increased flow rates in the dryer. Pressure blows and increased flow rates may lead to damages of the dryer.



Open the valves **very slowly** and make sure that the flow noise does not become too loud. Pay special attention when opening valves that can be opened rapidly by means of a pivoting movement.

The dryer valves are controlled by compressed air which is supplied from inside the dryer. For this reason the first requirement for commissioning is reaching a minimum pressure of 4 bar in the dryer. Pressurise the dryer as follows:

- 1) Make sure the compressed air system upstream of the dryer inlet is under pressure. If necessary, the compressor must be started.
- 2) Open the valve upstream of the dryer inlet **very slowly** until hearing the first clear flow noise. Stop the procedure when the flow noise becomes loud.
- 3) Observe the vessel pressure gauges. Pressurisation can be monitored on one of the two pressure gauges. Make sure the pressure is only rising slowly. Pressurisation speed may not exceed 2 bar/min.
- 4) Check the system for leaks during pressurisation. In the event of leaks, pressurisation must be stopped and the leaks must be repaired. To repair the leaks the dryer has to be depressurised again. (→ Page 49)
- 5) If flow noise and a pressure increase is no longer present when further opening the valve, it can be opened completely.

9.2.2 Opening the outlet valve

Special attention must be paid if the compressed air system downstream of the dryer is free from pressure.

- 1) Open the valve downstream of the dryer outlet **very slowly** until hearing the first clear flow noise.
- 2) Observe the vessel pressure gauges. Make sure there is no sudden pressure drop in the vessel. The vessel pressure may not drop for more than 1 bar.
- 3) If flow noise is no longer present when further opening the valve, it can be opened completely.
- 4) Air can now freely flow through the dryer. If a volume flow is to be transferred via the dryer, commissioning should be performed quickly or the valve downstream of the dryer outlet should be closed again, in order for the dryer not to be overladen with moisture during standstill.



Automatic start-up device

In the event the dryer is frequently started against a pressureless compressed air system, we recommend using an automatic start-up device. (→ Page 23)

The automatic start-up device prevents pressure blows and increased flow speeds from occurring even when the compressor is started automatically.

9.2.3 Starting the dryer

- 1) Make sure the dryer is under pressure and that all the valves upstream and downstream of the dryer are opened in order for the compressed air to be able to flow through the dryer.
- 2) Put the female power connector onto the male power connector on the control box. (→Page 25)
Now the display is illuminated and the software version of the control appears on the display for a few seconds. The dryer program starts up. The start of the program is accompanied by a notable clicking of the solenoid valve terminal.
- 3) Acknowledge any alarm messages, if required.
- 4) If any alarm messages are present that cannot be acknowledged, please proceed as described in section "Error messages and measures". (→ Page 34)
- 5) If there are no additional alarm messages, the dryer has been commissioned properly.

Monitor dryer operation. The dryer now performs the phases described in section "Function description". (→ Page 19)

10. Shutting down and restarting the dryer

10.1 Shutting down the dryer in case of emergency

- 1) Disconnect the power supply to the dryer. (e.g. by pulling the power connector off the control box. (→ Page 25)
- 2) Close the valves upstream and downstream of the dryer.
- 3) The dryer has now been shut down.

10.2 Stopping the dryer

The dryer can be stopped by ...

- 1) Disconnecting the power supply.
- 2) Pulling the power connector off the control box.
- 3) Opening the “compressor contact”. . (→Page 30)

Compressed air must no longer flow through the dryer. Otherwise, it is overladen with moisture.

Please note that the dew point becomes worse after a certain standstill period. Worsening of the dew point is not a dryer error but is caused by external moisture slowly penetrating the static volume in the piping. As soon as the compressed air flows again, the dew point will also become better again

10.3 Shutting down the dryer

- 1) Stop the dryer as described in the above section.
- 2) Pull the power connector off the control box.
- 3) Close the valves upstream and downstream of the dryer.
- 4) The dryer has now been shut down.
- 5) Prior to working on the dryer it has to be depressurised.

10.4 Depressurising the dryer



WARNING ! – Exhausting pressure

Compressed air exhausting to the outside is very loud and may carry small particles. This may cause hearing damage as well as injuries of the eyes and of the skin.



Close the openings used for releasing the pressure by means of a silencer suitable for the pressure.

Open the valves for releasing the pressure only **very slowly**.



Always wear eye and hearing protectors when working in the vicinity of the dryer.

- 1) Close the valves upstream and downstream of the dryer.
- 2) Open the valve on the after-filter (→ Page 39)
- 3) Monitor the pressure on the pressure gauges of the dryer.
- 4) Wait until the pressure has dropped to 0 bar on both pressure gauges.

10.5 Restarting the dryer

Please proceed as described in chapter "Commissioning". (→ Page 45)

If the relevant requirements have already been fulfilled, the corresponding steps of the chapter can be skipped.

11. Maintenance and repair



DANGER ! – Overpressure

The dryer is under pressure.

Suddenly escaping compressed air may result in serious injury.

Do not carry out mechanical or electrical work on the dryer as long as the dryer is under pressure.



DANGER ! – Electric voltage

The dryer is operated at electric voltages up to 230 V.

Touching live parts may result in serious injury or death.

Work on electrical components must only be carried out by qualified and authorised personnel.

Use a voltage detector to make sure the dryer has been disconnected from the power supply and that there are no live parts before starting maintenance work.

In the event of fire, do not extinguish the fire using water.



CAUTION ! – Qualification and experience required

Persons working on and with the dryer have to be qualified personnel who, because of their qualification and experience, are familiar with handling compressed air systems and electrical systems.

If you are not experienced in using these systems, please ask the relevant experts for help. We highly recommend that commissioning and maintenance be carried out by the manufacturer or one of the authorised service partners.

Please observe the following requirements for maintenance:

- Observe the notes in section "Intended use". (→ Page 9)
- Observe the "Safety notes" and the "General safety notes" in particular. (→ Pages 12, 14)
- Provide the required spare parts. Only use genuine spare parts of the manufacturer. The manufacture provides prepared spare part packets. (→ Page 5)
- Maintenance must only be carried out if the dryer is depressurised and disconnected from the power supply.

Please observe the following when completing maintenance work:

- Make sure that all the flange connections and screwed joints are tight and sealed.
- Carry out a leak test.
- Make sure not to forget any tools, detergents or other objects in and around the dryer.
- Commission the dryer as described on → page 45.



Maintenance contract

It is possible to conclude a maintenance contract with the manufacturer or one of their service partners. A maintenance contract guarantees that the dryer has been maintained regularly by qualified personnel and that only genuine spare parts are being used.

For contact data, please refer to → page 5.

For communication purposes, please specify the type and the manufacturing number. This information can be found on the type plate on the control box of the dryer. (→ Page 12)

11.1 Regular maintenance intervals

The following table gives an overview of routine maintenance tasks. The required activities are described on the following pages.

Component	Maintenance activity	Every day	Every month	Every year	Every 2 years	Every 4 years	See page
Dryer and dryer control	Visual check and function monitoring	■					51
Dryer	Clean		■				52
Control box	Check if cable and terminals are securely fixed			■			52
Dew point sensor (MT01)	Calibration required			■			52
Pre- and after-filter (option)	Replace filter element			■			52
Expansion silencer (X1) valves (V1-V4 + RV1-2)	Replace			■		■ *	53
Strainer basket (SB1,SB2)	Replace sealing set				■		54
Desiccant	clean					■ *	54
	Check/replace					■ *	54

* = These activities should be carried out at the same time.

11.1.1 Visual check and function monitoring

- 1) Check the dryer for external damages.
- 2) Check the operating parameters of the incoming compressed air (pressure and temperature in particular). (→ Page 11)
- 3) Check the individual components for unusual noise development and leaks.
- 4) Check the error messages on the touch panel and, if required, proceed as described in section "Alarm messages". (→ Page 34)
- 5) Check if the condensate drains on the compressor and on the upstream filters are working properly.
- 6) Check the dew point.

11.1.2 Cleaning the dryer and dryer control

Make sure the surroundings are clean and tidy.

- 1) Clean the dryer surface using a slightly moist cloth. Do not use detergents containing acids or solvents.
- 2) Make sure the operating elements and the type plates can always be clearly read.
- 3) Keep water and metallic dust away from the electrical components.

11.1.3 Checking if cable and terminals are securely fixed

The cable connections may be loosened due to transportation or vibrations. To prevent malfunctions from occurring, all the cable connections must be checked to ensure that they are securely fixed. In the event of heavy vibrations, inspection must be carried out more frequently. The necessary actions must only be performed by a qualified electrician.

- 1) Decommission the dryer. (→ Page 48)
- 2) Depressurise the dryer. (→ Page 49)
- 3) Disconnect the electrical power supply from the dryer and protect it against unintentional reconnection.
- 4) Make sure the cables and terminals are securely fixed by tightening them, if required.
Only use tools approved for electrical work.
- 5) Replace any damaged or corroded components.
- 6) After the control box has been reclosed, the dryer can be recommissioned again.

11.1.4 Calibrating the dew point sensor

The dew point sensor (MT01) is subject to ageing which leads to inaccurate measurements over time. Oil vapour and other contamination may render the sensor unusable over time. To prevent operating errors from occurring the dew point sensor must be calibrated regularly.



Delicate dew point sensor

The dew point sensor contains a very delicate electronic system. Vibrations and shocks may lead to sensor damage. Handle the sensor with particular care.

- 1) Decommission the dryer. (→ Page 48)
- 2) Depressurise the dryer. (→ Page 49)
- 3) Loosen the screw at the sensor cable socket and remove the cable socket. The cable socket is kept at the dryer and will be reused.
- 4) Unscrew the sensor from the measuring socket using an appropriate wrench. Only hold the sensor at the hexagon of the sensor housing!
- 5) Insert a calibrated sensor of the same type in the measuring socket.
- 6) Plug the cable socket onto the calibrated sensor and tighten the cable socket.
- 7) Pressurise the dryer and commission the dryer again. (→ Page 48)



Replacement program

The manufacturer provides a replacement program for old dew point sensors.

- 1) Order a new dew point sensor.
- 2) Exchange the sensors upon receipt of the new sensor.
- 3) Send the old sensor back to the manufacturer. For this purpose, use the protective packaging of the new sensor. Only sensors that are undamaged can be recalibrated!
- 4) After receipt of the old, undamaged sensor the price difference of the new sensor and calibration will be credited. The old sensor remains at the manufacturer.

11.1.5 Replacing filter elements

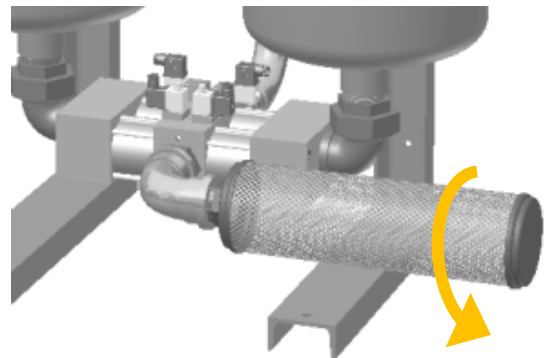
The filter elements in the filters prevent particles and aerosols in the compressed air flow from entering the system. The filter elements in the filters will be clogged over time and thus the compressed air flow is throttled. To prevent operating errors from occurring, the filter elements have to be replaced regularly. Check the differential pressure gauge at the filter (if available). When exceeding approximately 350 mbar, the elements should be replaced. Replacement is due after one year at the latest.

- 1) Depressurise the filter. (→Page 49)
- 2) For filter replacement please proceed as described in the operating manual of the filter.

11.1.6 Replacing the expansion silencer

The expansion silencer (X1) is contaminated by dust and condensate over time and thus the expansion air flow is throttled. To prevent operating errors from occurring, the expansion silencer has to be replaced regularly.

- 1) Decommission the dryer. (→ Page 48)
- 2) Depressurise the dryer. (→ Page 49)
- 3) Unscrew the old expansion silencer (X1) from the connecting part using your hands or an appropriate tool.
- 4) Screw the new expansion silencer (X1) into the connecting part and tighten it using your hands or an appropriate tool and some sealing tape.
- 5) Pressurise the dryer and commission the dryer again. (→ Page 48)



Maintenance and repair

11.1.7 Replacing the sealing set of the valves (V1-4) and the check valves (RV1-2)

The valves and check valves are subject to wear. The seals must be replaced in regular intervals. Spare part kits containing all parts required for proper maintenance can be purchased from the manufacturer or one of his service partners

11.1.8 Checking and replacing the desiccant / Cleaning the strainer basket



CAUTION ! – Desiccant dust

Using the desiccant may lead to mineral dust formation.
Desiccant dust may cause eye and respiratory tract irritations.
Wear eye protection and a dust mask when handling the desiccant.



WARNING ! – Risk of slipping

After desiccant replacement some amounts of desiccant may still remain on the floor.
The desiccant is very slippery and may result in serious fall injury.
Immediately remove residual desiccant properly from the floor.

The desiccant is subject to ageing and its drying performance is reduced over time. The service life of the desiccant depends on numerous operating parameters and cannot be exactly predicted. The service life is approximately 3 to 5 years. Under very favourable conditions (e.g. oil-free compressed air) the service life may be considerably longer. The quality of the desiccant can be assessed quite well when monitoring the operating phases. If the adsorption phase is reduced significantly during operation in the „CYCLE MODE - VAR“ mode, the desiccant should be replaced. Desiccant replacement is generally useful as a preventive maintenance measure in conjunction with other repair work. (See advisory note below)



WARNING ! – Risk of falls

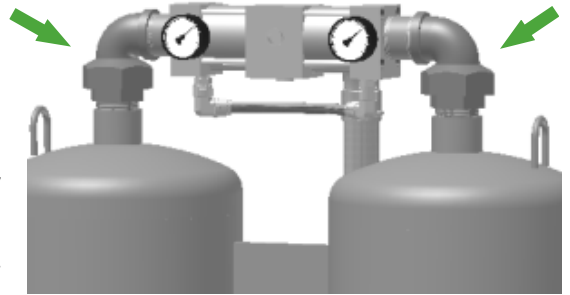
The dryer must never be used as a climbing aid. The dryer components will not provide adequate support and parts of the dryer may break off. Disregard may lead to dryer damages and falls with serious injuries.

When working at height only use approved climb assist systems.

Desiccant replacement is part of a large inspection run. At the same time, other maintenance activities should be carried out. (See maintenance table → page 50)

- 1) Decommission the dryer. (→ Page 48)
- 2) Depressurise the dryer. (→ Page 49)
- 3) Remove the upper check valve block. (RV1, RV2)
- 4) Remove the strainer basket (S1, S2) and clean it from desiccant residues.
- 5) Remove the sealing material and clean the threads surfaces from residues of the sealing material..
- 6) Provide an adequately sized container for the used desiccant.
- 7) Remove the used desiccant from the vessel using a suction device (e.g. vacuum cleaner).
- 8) Provide an adequately sized container for the used desiccant.

- 9) Remove the used desiccant from the vessel using a suction device (e.g. vacuum cleaner). Reinigen Sie den Stutzen der Trockenmittelentleerung und verschließen Sie den Stutzen wieder unter Verwendung geeigneter Dichtmittel.
- 10) Remove the used desiccant from the construction site.
- 11) Provide the new desiccant *. Make sure to use two different desiccant types which create two separate layers in the vessel.
Distribute the different desiccant types equally to the two vessels.
In the event you are unsure which desiccant to fill in first, please contact the manufacturer.
- 12) Fill in the liquid waterproof desiccant first (e.g. silica gel WS *). It is the lower layer in the vessel.
- 13) Fill in the non-liquid-waterproof desiccant last (e.g. molecular sieve *). It is the upper layer in the vessel. This type of desiccant will disintegrate when getting in contact with liquid water.
- 14) Fill up the vessel almost to its full extent. Make sure that the strainer basket (SB1, SB2) can still be inserted in the vessel opening by slightly pressing on it. During operation the desiccant will be compressed to some extent and the desiccant volume will be slightly reduced
- 15) Reinsert the strainer basket (SB1, SB2) into the vessel using new sealing material (e.g. Teflon tape).
- 16) Place the upper check valve block back onto the vessels (A1,A2) and close the elbow connector.
- 17) Clean the floor thoroughly from desiccant residues.
- 18) Slowly pressurise the dryer again. (→ Page 46) Carry out a leak test using a leak detection spray. In the event of leaks the dryer will have to be depressurised prior to repairing the leaks.



(* = Different applications require different desiccant fillings. Even a filling with only one type of desiccant is possible and common. Please investigate for the correct type and quantity of desiccant before you order the replacement desiccant. The manufacturer holds records of the desiccant filling used for each individual dryer (→ Page 5). Please state the dryer serial number in your correspondence. (→ Page Fehler! Textmarke nicht definiert.))

Please note that, directly after desiccant replacement, the dew point may become worse. The new desiccant will reach the full drying performance only after a longer operation period. For the time directly after desiccant replacement it may be useful to select a dew point limit value as described in the "Properly selecting the dew point limit value" advisory note. (→ Page 9)



Taking the inspection intervals for the vessels into account

A routine inspection is required for the pressure vessels. In Germany, according to AD 2000 Code a routine inspection has to be carried out every 5 years by a notified body.

Please note that different national regulations may apply in other countries.

We recommend replacing the desiccant in the course of this inspection run at the latest.

Combine desiccant replacement and vessel inspection. The manufacturer provides desiccant replacement in conjunction with "measures parallel to approval".



Increased dust contents after desiccant replacement

Filling the new desiccant in the dryer results in increased dust contents in the vessels. In the first weeks after recommissioning the dust is forwarded to the downstream filter and the filter elements will deteriorate faster than during later operation. We therefore recommend to recommission the dryer using the old filter elements and to use the new filter elements and the new expansion silencer only after some weeks.



Desiccant

The desiccant used is not subject to labelling requirements according to the Hazardous Substances Ordinance. Nevertheless, the common safety measures with regard to using chemicals apply.

The manufacturer will provide safety data sheets on request.

The desiccant may accumulate contaminants from the compressed air. Depending on the type of contamination there may be a risk of injury or damage when using the desiccant. As the type of contamination is not known to the manufacturer, the resulting risks cannot be evaluated in this operating manual.



Disposal

Dispose of the desiccant according to the local regulations.

Waste codes according to the Waste Catalogue Ordinance:

- Non-contaminated desiccant: 06 08 99
- Contaminated desiccant: The waste code will have to be determined by the waste producer taking the type of contamination into consideration. The desiccant must be disposed of in an appropriate disposal plant.

12. Appendix and technical documents

12.1 General arrangement drawing

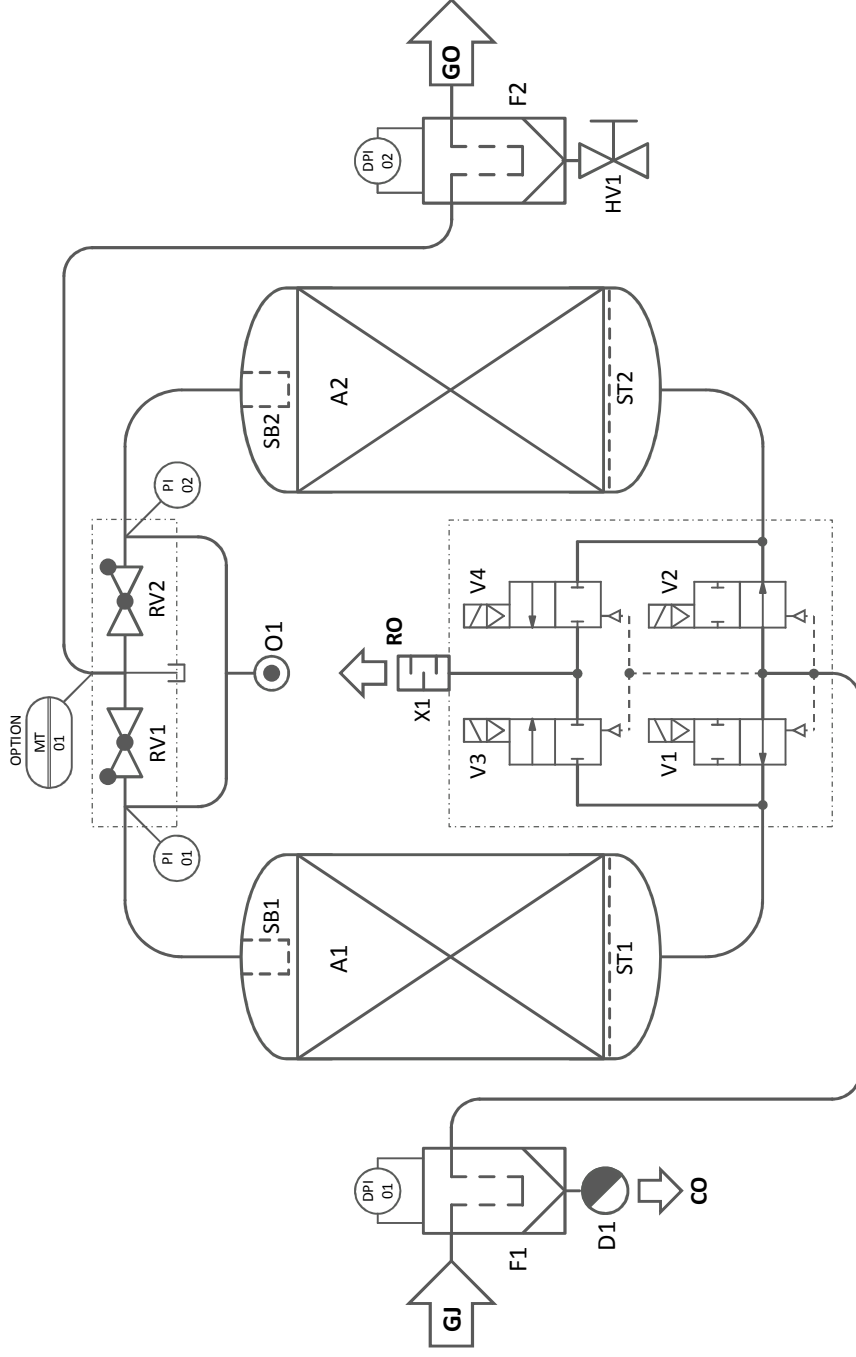
Separate document

12.2 Process flow diagram

12.3 Wiring diagram

- A Trocknerbehälter
- F Filter
- V Ventil
- HV Handabsperrventil
- RV Rückschlagventil
- SB Siebkorb
- ST Siebboden
- X Schalldämpfer
- D Kondensatableiter
- O Lochblende / Reg.Gas-Düse
- PI Manometer
- DPI Differenzdruckmanometer
- MT Drucktaupunkttransmitter
- GJ Gas-Eintritt
- GO Gas-Austritt
- RO Regenerationsgas-Austritt
- CO Kondensat-Austritt

- adsorber vessel
- filter
- valve
- manual shut off valve
- non-return valve
- sieve basket
- sieve tray
- silencer
- condensate drain
- orifice for regeneration flow
- pressure gauge
- differential pressure gauge
- pressure dew point transmitter
- gas inlet
- gas outlet
- regeneration gas outlet
- condensate outlet



Rev.	Änderung/Change	Datum/date	Name
B	Details hinzugefügt/details added	07.09.10	CR
A	Manometer versch. / p.gauge moved	28.04.10	CR

erstellt/design
geprüft/checked

C.Ruff, 19.03.10
T.Rappe, 19.03.10

EST
Hqwh GmbH

Filtrations-Separations-Technik

R&I-Fließbild DPS 10 bis 100
P&I-Diagram DPS 10 to 100

ZPI-S-100028

Ersatz/Replacing: DP-P-00028

Stromlaufplan für Trocknersteuerung C1

Wiring Diagram for Dryer Control C1

Elektrische Anschlussdaten : 230 V / 115V (+/-10%) 50/60 Hz
 (= Ventil-Spannung)
 L1 / N / PE

power supply
 (= solenoid valve voltage)

Schutzart:
 protection class
 IP 65

Leistungsaufnahme :
 (abh. vom Trocknertyp)
 power consumption
 (depending on dryer type)

DPS1-8 : < 50 VA
 DPS10-100 : < 35 VA
 DPS120-630 : < 10 VA
 DHM 8-66 : < 80 VA
 DTC 45-1100 : < 10 VA

Sicherung intern :
 internal fuse
 0,5 A träge / slow-blow

Angewandte Richtlinieien
 und Normen :
 applied guidelines
 and standards

2009/95/EG
 EN 55011
 EN 61000-3-2
 EN 61000-3-3
 EN 61000-6-2

EMV Prüfbericht:
 EMV test report
 2010-2536-3871-RDE

Anmerkung:
 Note
 Nicht geeignet für Ventilstecker mit Gleichrichter.
 Hierfür bitte Sonderplatine anfordern.
 Not suitable for valve connectors with rectifier. In this
 case please ask for a special circuit board.

Inhaltsverzeichnis
 list of content

1 Deckblatt
 cover sheet

2 Aufbauplan
 general arrangement

3 Platine / Klemmenbelegung
 circuit board / wire terminal

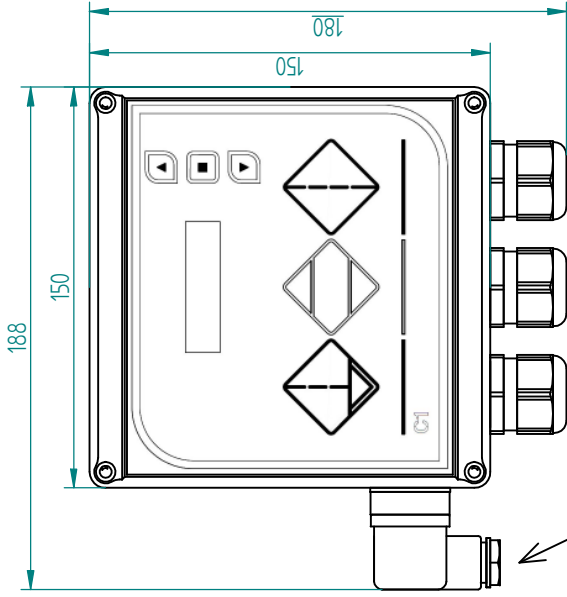
4 Stückliste
 parts list

Rev.	Änderung / change	Datum/date	Name	Datum/date	Name	(Benennung / title)
		bear./design	07.09.10	C. Ruff	C1 Stromlaufplan 230/115V-AC	
		gepr./check	07.09.10	T. Tappe	C1 wiring diagram 230/115V-AC	
					Deckblatt / cover sheet	
					(Zeichnungsnummer / drawing no.)	
					ZEP-S-100064	
					(Blatt/sheet	
					1	
					von/of	
					4	
					(Ers.f / repl.for: - -)	
					(Ers.d / rep.by: - -)	
					A3	



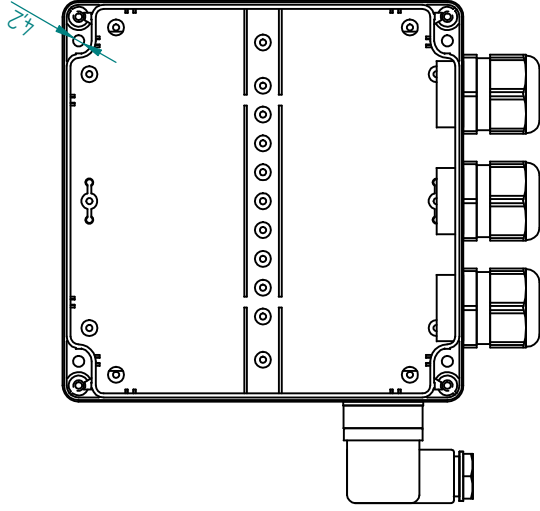
EST
 GmbH
 Filtrations-Separations-Technik

Vorderansicht
front view



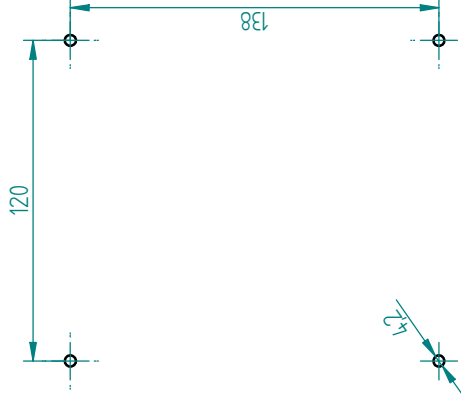
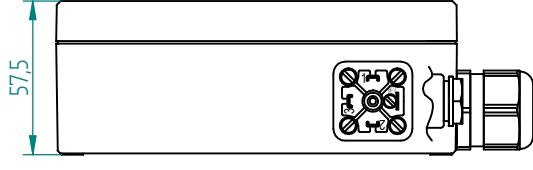
Gerätesteckdose DIN EN 175301-803,
niedriges Gehäuse, für 6-8mm Kabel
female power connector DIN EN 175301-803,
low housing, for 6-8mm cable

Gehäuse (innen)
box (inside)



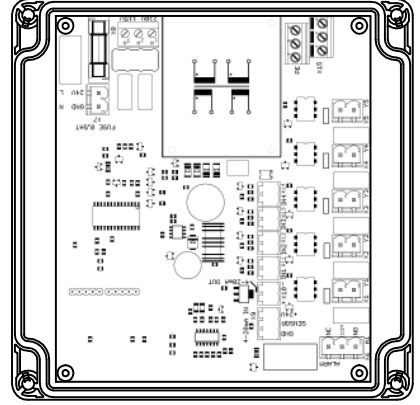
4-fach Kabelverschraubungen M25x1,5,
für Kabel 6-8mm
(Die Anzahl der Verschraubungen variiert je nach Anwendung.
Ggf. werden freie Öffnungen durch Blindstopfen verschlossen.)
4-port cable glands M25x1,5,
for cable 6-8mm
(The number of glands varies with the application.
Free openings might be closed using blind plugs.)

Seitenansicht
side view



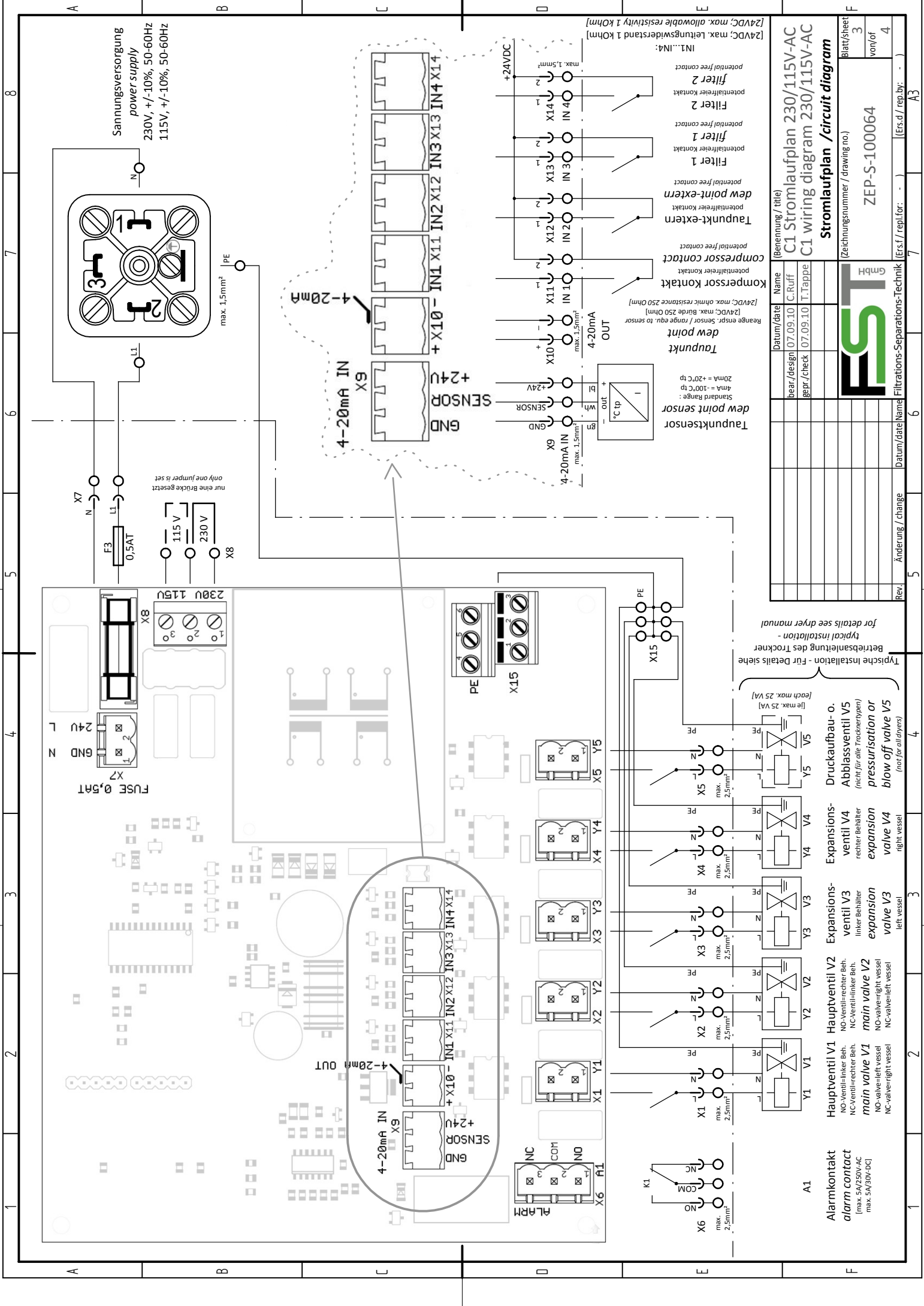
max. Durchmesser des Schraubenkopfes = 7mm
max. diameter of bolt head = 7mm

Deckel mit Steuerung (innen)
box lid with control (inside)

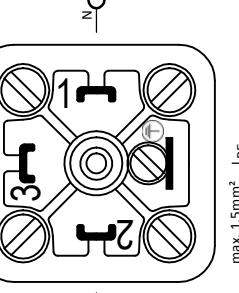


Rev.	Änderung / change	Datum/date	Name	Benennung / title
5			bear./design 07.09.10	C1 Stromlaufplan 230/115V-AC
4			gepr./check 07.09.10	C1 wiring diagram 230/115V-AC
Aufbauplan / gen. arrangement				
				(Zeichnungsnummer / drawing no.)
				ZEP-S-100064
				Blatt/sheet 2
				von/of 4
				(Ers.f./ repl.for: - -)
				(Ers.d./ rep.by: - -)

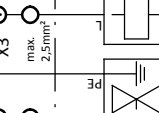
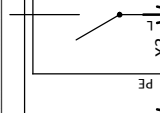
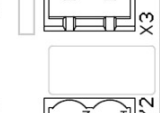
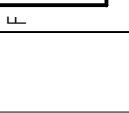
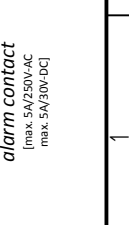
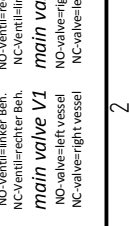
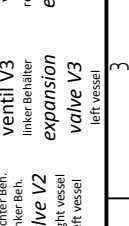
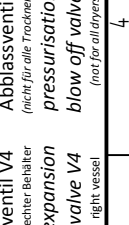
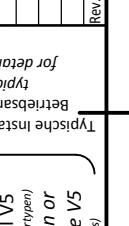
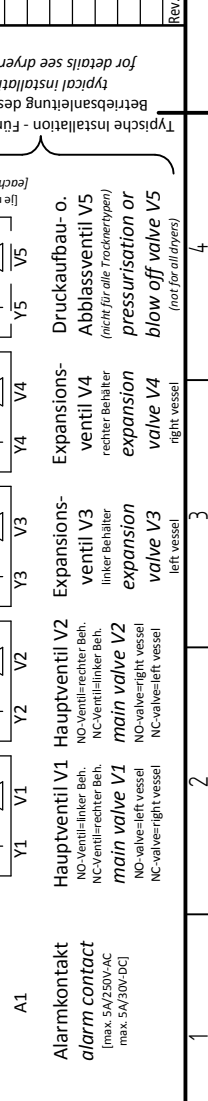
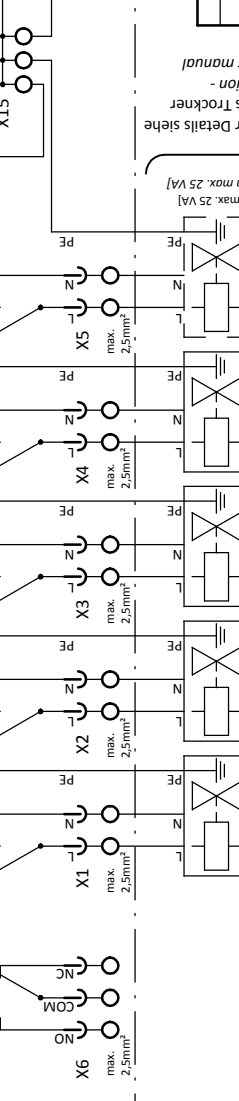
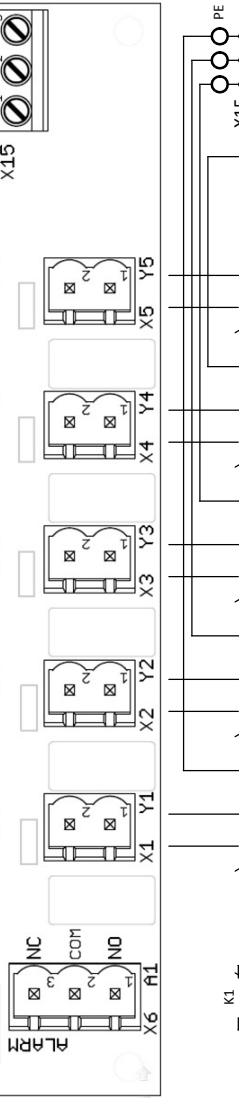
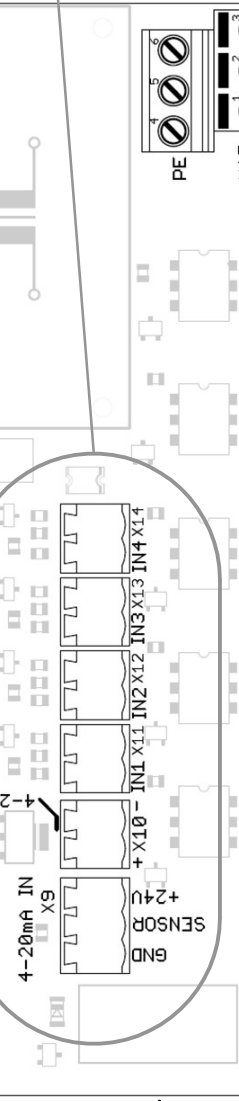
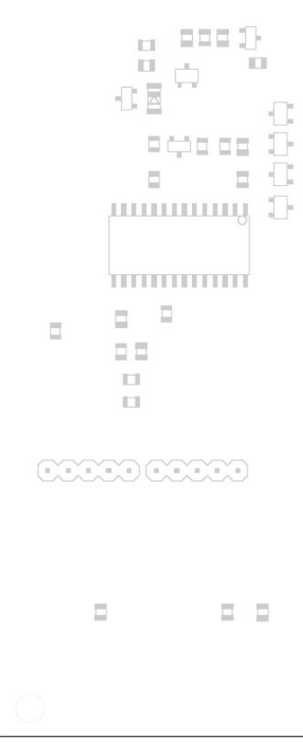
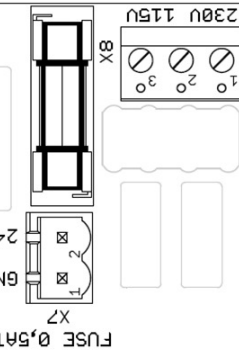
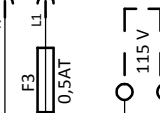




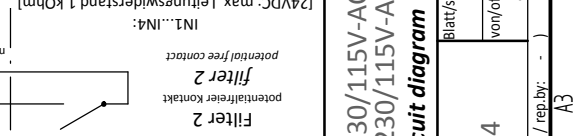
Sennungsversorgung
power supply
230V, +/-10%, 50-60Hz
115V, +/-10%, 50-60Hz



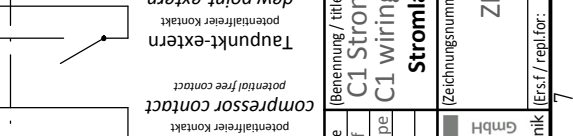
nur eine Brücke gesetzt
only one jumper is set



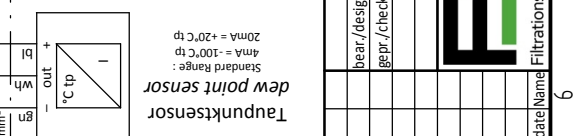
[24VDC, max. Leistungswiderstand 1 Kohm]
[24VDC, max. allowable resistivity 1 Kohm]



IN1...IN4:
potential free contact



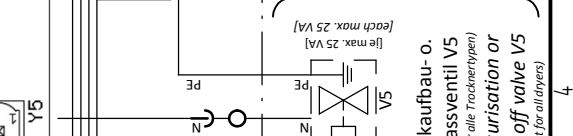
IN1...IN4:
potential free contact



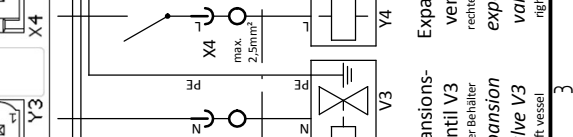
IN1...IN4:
potential free contact



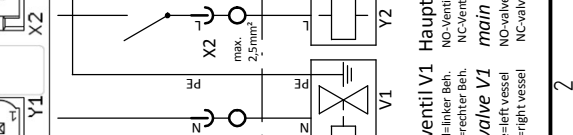
IN1...IN4:
potential free contact



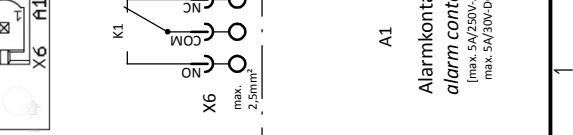
IN1...IN4:
potential free contact



IN1...IN4:
potential free contact



IN1...IN4:
potential free contact



IN1...IN4:
potential free contact

Typische Installation - Für Details siehe Betriebsanleitung des Trockners
Typical installation - for details see dryer manual

Druckaufbau- o. Ablassventil V5
(nicht für alle Trockertypen)
pressurisation or blow off valve V5
[Lech max. 25 VA]

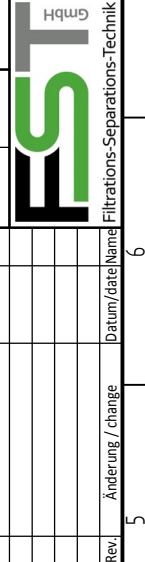
Expansionsventil V4
rechter Behälter
expansion valve V4
right vessel

Expansionsventil V3
linker Behälter
expansion valve V3
left vessel

Hauptventil V1
NO-ventil=linker Beh. /
NC-ventil=linker Beh.
main valve V1
NO-valve=right vessel /
NC-valve=left vessel

(Benennung / title)
C1 Stromlaufplan 230/115V-AC
C1 wiring diagram 230/115V-AC

Name	C1 Ruff
Datum/date	07.09.10
bear./Design	T. Tappe
gepr./check	07.09.10
Stromlaufplan /circuit diagram	
Zeichnungsnummer / drawing no.)	ZEP-S-100064
Blatt/sheet	3
von/of	4



Filtrations-Separations-Technik (Ers.f / repl.for. - - -) [Ers.d / rep.by: - - -] A3

Rev. Änderung / change Datum/date Name Filtrations-Separations-Technik (Ers.f / repl.for. - - -) [Ers.d / rep.by: - - -] A3

Pos. Anzahl / qty Beschreibung

Pos.	Anzahl / qty	Beschreibung	description
1	1	Gehäuse, 150x150x57, RAL7035 lichtgrau, ABS (Dichtung: Neoprene) (BOPLA Euromas II - ET218-LP)	housing, 150x150x57, light grey RAL7035, ABS (seal: neoprene) (BOPLA Euromas II - ET218-LP)
2	1	Steuerplatine FST/FMW A0891010	control circuit board FST/FMW A0891010
3	1	Gerätesteckdose DIN EN 175301-803, niedriges Gehäuse, 3+PE, PA (z.B. BINDER 43-1702-000-04)	female power connector DIN EN 175301-803, low housing, 3+PE, PA (e.g. BINDER 43-1702-000-04)
4	1	Gerätesteckdosen-Profilabdichtung, NBR schwarz Nennquerschnitt 1,5mm ² / Kabeldurchmesser 6-8 mm (z.B. BINDER 16-8088-000)	profiled seal for female power connector, NBR black nom. cross section 1,5mm ² / cable diameter 6-8 mm (e.g. BINDER 16-8088-000)
5	1	Gerätestecker DIN EN 175301-803, quadratisch, 4 Befestigungslöcher, 3+PE, PA (z.B. BINDER 43-1715-000-04)	male power connector DIN EN 175301-803, rectangular, 4 mounting holes, 3+PE, PA (e.g. BINDER 43-1715-000-04)
6	1	Gerätestecker-Flachdichtung, 30x30x1,5mm, NBR beige (z.B. BINDER 16-8090-000)	gasket for male power connector, 30x30x1,5mm, NBR beige (e.g. BINDER 16-8090-000)
7	5 (max. 6)	Steckerteil (X1...X5: "Ventile" / X7: "Spannungsversorgung"), PA 2 Pole, Raster 5mm, Schraube M3, Drehmoment 0,5Nm Nennquerschnitt 2,5mm ² (Leiter 0,2...2,5mm ² / mit Endhülse 0,25...2,5mm ²) (z.B. Phoenix Contact MSTB 2,5/2-ST)	plug connector (X1...X5: "valves" / X7: "power supply"), PA 2 pole, pitch 5mm, screw M3, torque 0,5Nm nom. cross section 2,5mm ² (conductor 0,2...2,5mm ² / with ferrule 0,25...2,5mm ²) (e.g. Phoenix Contact MSTB 2,5/2-ST)
8	1	Steckerteil (X6: "Alarmkontakt"), PA 3 Pole, Raster 5mm, Schraube M3, Drehmoment 0,5Nm Nennquerschnitt 2,5mm ² (Leiter 0,2...2,5mm ² / mit Endhülse 0,25...2,5mm ²) (z.B. Phoenix Contact MSTB 2,5/3-ST)	plug connector (X6: "alarm contact"), PA 3 pole, pitch 5mm, screw M3, torque 0,5Nm nom. cross section 2,5mm ² (conductor 0,2...2,5mm ² / with ferrule 0,25...2,5mm ²) (e.g. Phoenix Contact MSTB 2,5/3-ST)
9	1	Steckerteil (X9: "Taupunktsensor"), PA 3 Pole, Raster 3,5mm, Schraube M2, Drehmoment 0,22...25Nm Nennquerschnitt 1,5mm ² (Leiter 0,14...1,5mm ² / mit Endhülse 0,25...1,5mm ²) (z.B. Phoenix Contact MC1,5/3-ST-3,5)	plug connector (X9: "dew point sensor"), PA 3 pole, pitch 3,5mm, screw M2, torque 0,22...25Nm nom. cross section 1,5mm ² (conductor 0,14...1,5mm ² / with ferrule 0,25...1,5mm ²) (e.g. Phoenix Contact MC1,5/3-ST-3,5)
10	2 (max. 5)	Steckerteil (X10...14: "Signalkontakte"), PA 2 Pole, Raster 3,5mm, Schraube M2, Drehmoment 0,22...25Nm Nennquerschnitt 1,5mm ² (Leiter 0,14...1,5mm ² / mit Endhülse 0,25...1,5mm ²) (z.B. Phoenix Contact MC1,5/2-ST-3,5)	plug connector (X10...14: "signal contacts"), PA 2 pole, pitch 3,5mm, screw M2, torque 0,22...25Nm nom. cross section 1,5mm ² (conductor 0,14...1,5mm ² / with ferrule 0,25...1,5mm ²) (e.g. Phoenix Contact MC1,5/2-ST-3,5)
11	2 (max. 3)	Kabelverschraubung M25x1,5, lichtgrau RAL7035, PA (z.B. SKINTOP® ST-M 25x1,5 Art.: 53111430)	cable gland M25x1,5, light grey RAL7035, PA (SKINTOP® ST-M 25x1,5 Art.: 53111430)
12	2 (max. 3)	Dichtensatz für Kabelverschraubung M25, 4x5mm, NBR schwarz (z.B. SKINTOP® DIX-M Art.: 53325450)	seal inlay for cable gland M25, 4x5mm, NBR black (e.g. SKINTOP® DIX-M Art.: 53325450)
13	ca. 4	Verschlusstopfen für Kabeldurchführung D=5,5 x L=11mm, PA (z.B. SKINTOP® DIX-DV 5,5x11 Art.: 53100055)	plug for seal inlay D=5,5 x L=11mm, PA (e.g. SKINTOP® DIX-DV 5,5x11 Art.: 53100055)
14	ca. 1	Blindstopfen für freie Gehäuseöffnung M25x1,5, lichtgrau RAL7035, PA (z.B. SKINDICHT® BLK-M, Art.: 52006630)	blind plug for free housing opening M25x1,5, light grey RAL7035, PA (e.g. SKINDICHT® BLK-M, Art.: 52006630)
15	1	Sicherung, 0,5 A, träge, 5x20mm	fuse, 0,5 A, delayed, 5x20mm

Rev.	Änderung / change	Datum/date	Name
5			
6			

Stückliste / parts list		
(Benennung / title)	C1 Stromlaufplan 230/115V-AC	Blatt/sheet
	C1 wiring diagram 230/115V-AC	4
		von/of
		4
Zeichnungsnummer / drawing no.		ZEP-S-100064
(Ers.f / repl.for: -)		(Ers.d / rep.by: -)
		A3

